

SUITABLE FOR AGES 14+

# COBRA NITRO

1/8 SCALE 4WD OFF-ROAD  
NITRO RC TRUGGY



RH821 ■

## INSTRUCTION BOOK AND COMPONENT LISTING

4WD

EP

2.4  
GHZ

SD  
SHAFT  
DRIVEN



<https://www.vrx-racing.com>

# VRX RACING 1/10TH SCALE 4WD NITRO TRUGGY

## Congratulations on your purchase of the 1/10th Scale 4wd Ready-To-Run Nitro truggy

This 1/10th scale model has been factory assembled and all electrics installed and set up to make it the easiest possible introduction to the sport of driving RC cars.

**WARNING:** Read the ENTIRE instruction manual to become familiar with the features of the product before operating.

Failure to operate the product correctly can result in damage to the product, personal property and cause serious injury.

This is NOT a toy and must be operated with caution and common sense.

Failure to operate this product in a safe and responsible manner could result in damage, injury or damage to other property.

This product is not intended for use by children without direct adult supervision.

It is essential to read and follow all the instructions and warnings in the manual, prior to assembly, set-up or use, in order to operate correctly and avoid damage or serious injury.



## Safety Precautions and Warnings

- You are responsible for operating this model such that it does not endanger yourself and others, or result in damage to the product or the property of others.
- This model is controlled by a radio which is possibly subject to interference which can cause momentary loss of control so it is advisable to always keep a safe distance to avoid collisions or injury.
- Age Recommendation: 14 years or over. This is not a toy. This product is not intended for use by children without direct adult supervision.

## Carefully follow these directions and warnings, plus those of any additional equipment associated with the use of this model, fuel, starting equipment, engine, radio etc.

- Never operate your model with low transmitter batteries.
- Always operate your model in an open area away from cars, traffic or people.
- Never operate the model in the street or in populated areas.
- Always keep the vehicle in direct line of sight, you cannot control what you cannot see!
- Keep all chemicals, small parts and anything electrical out of the reach of children.
- Although the model includes waterproof servos and receiver, the model and engine are not suited to extensive running in wet weather conditions. Long term damage can occur to the model and particularly the engine if run in prolonged wet conditions.
- Avoid injury from high speed rotating parts, gears and axles etc.
- Novices should seek advice from more experienced people to operate the model correctly and meet its performance potential.
- Exercise caution when using tools and sharp instruments.
- Do not put fingers or any objects inside rotating and moving parts.
- Take care when carrying out repairs or maintenance as some parts may be sharp.
- Do NOT touch equipment such as the engine heatsink head and exhaust pipe, immediately after using your model because they can generate high temperatures.
- Always turn on your transmitter before you turn on the receiver in the car.  
Always turn off the receiver before turning your transmitter off.
- Keep the wheels of the model off the ground, and keep your hands away from the wheels when checking the operation of the radio equipment or engine set-up.
- Prolong engine life by following the engine set-up and guidelines outlined within the manual.

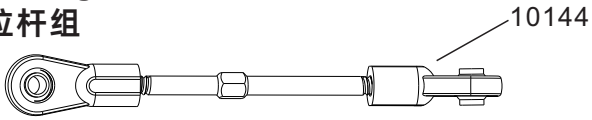
## Contents:

- Nitro truggy
- Transmitter - receiver

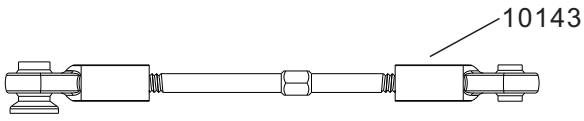




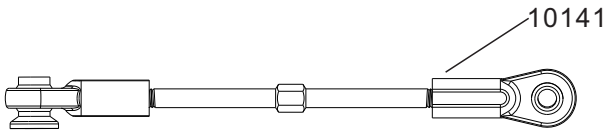
**Linkages**  
拉杆组



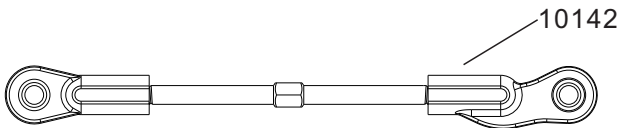
**Servo linkage**  
转向拉杆短组



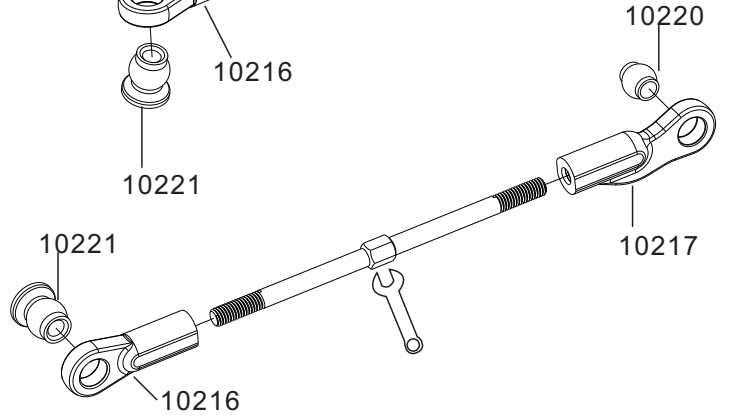
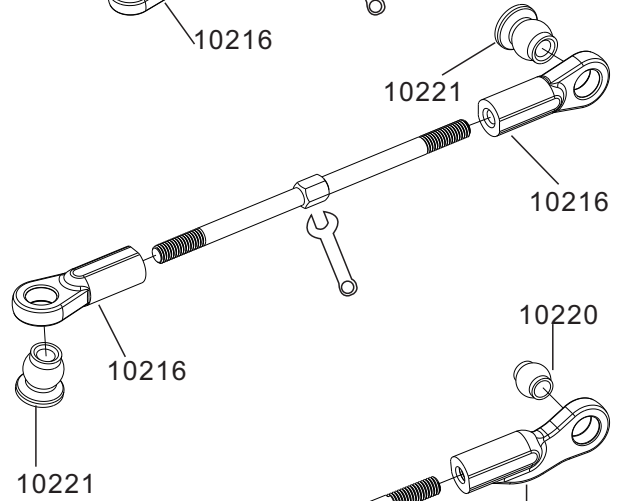
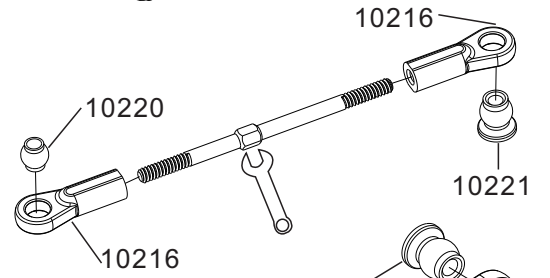
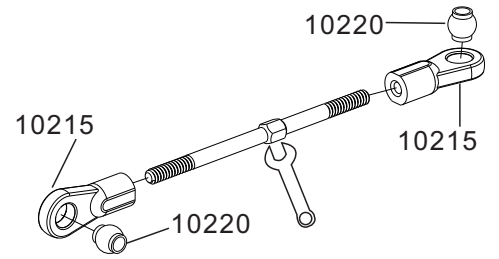
**Steering arms**  
转向拉杆长组



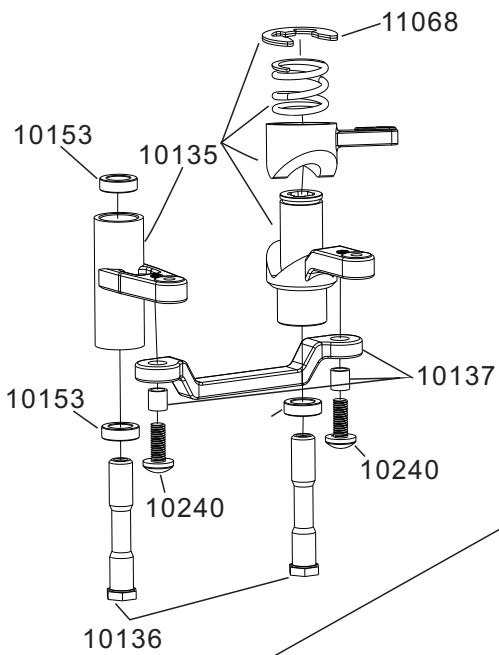
**Front upper susp.arms**  
前上拉杆组



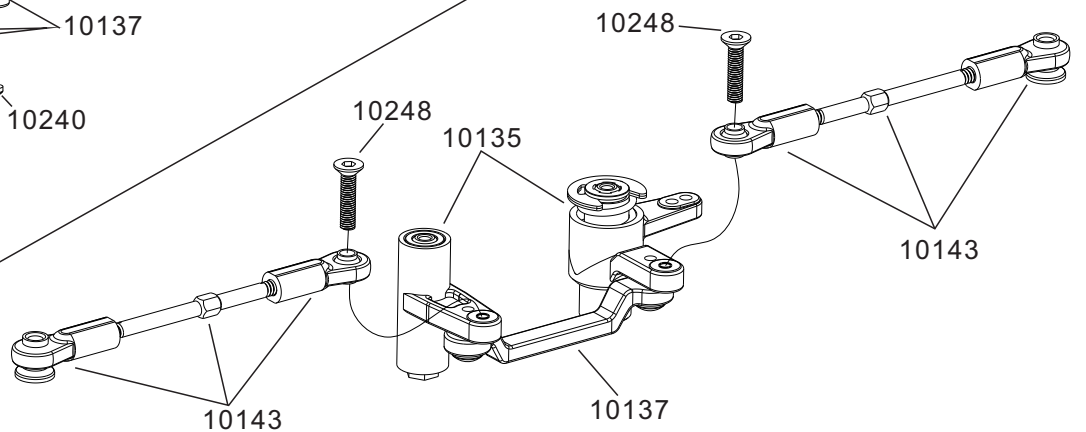
**Rear upper susp.arms**  
后上拉杆组



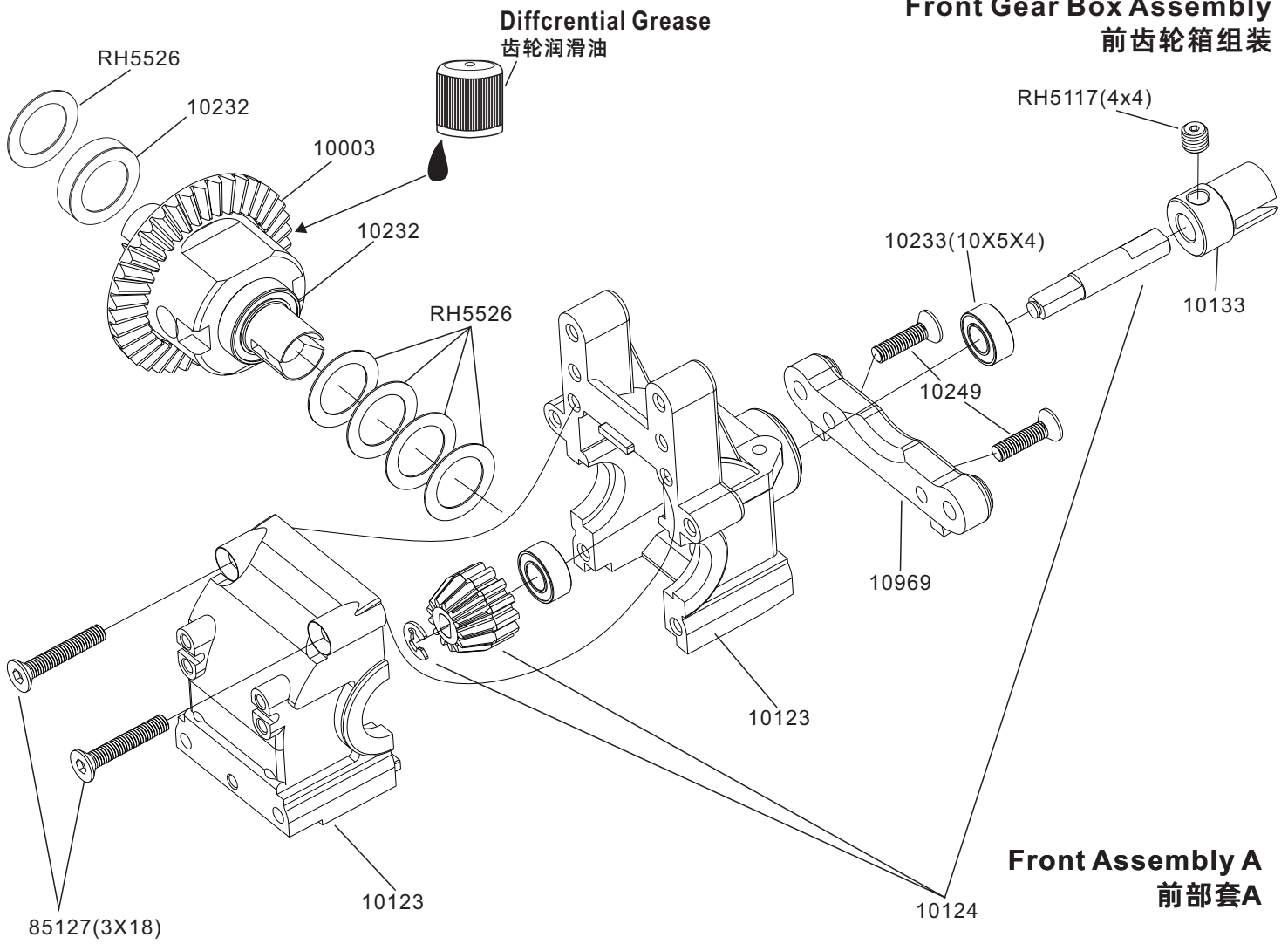
**Servo Saver**  
转向组合



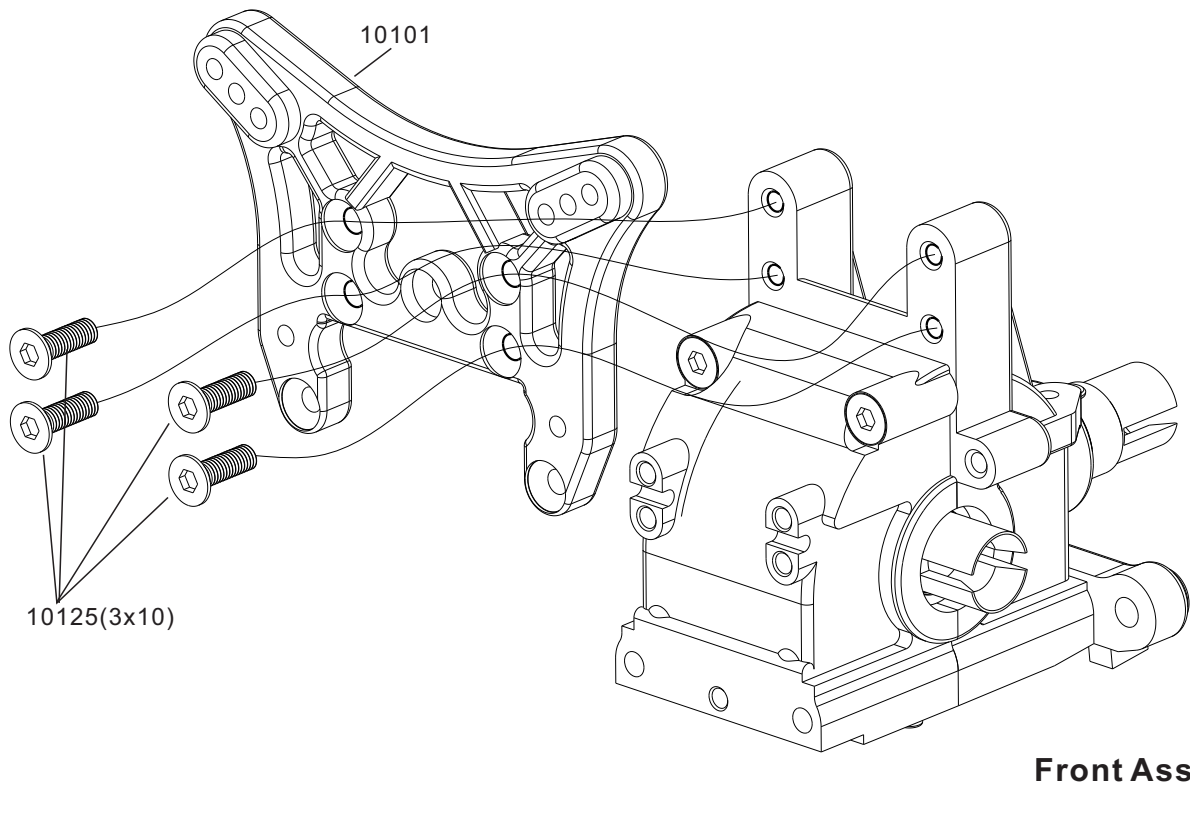
**Assemble steering arms**  
组装转向拉杆到转向摇臂组上



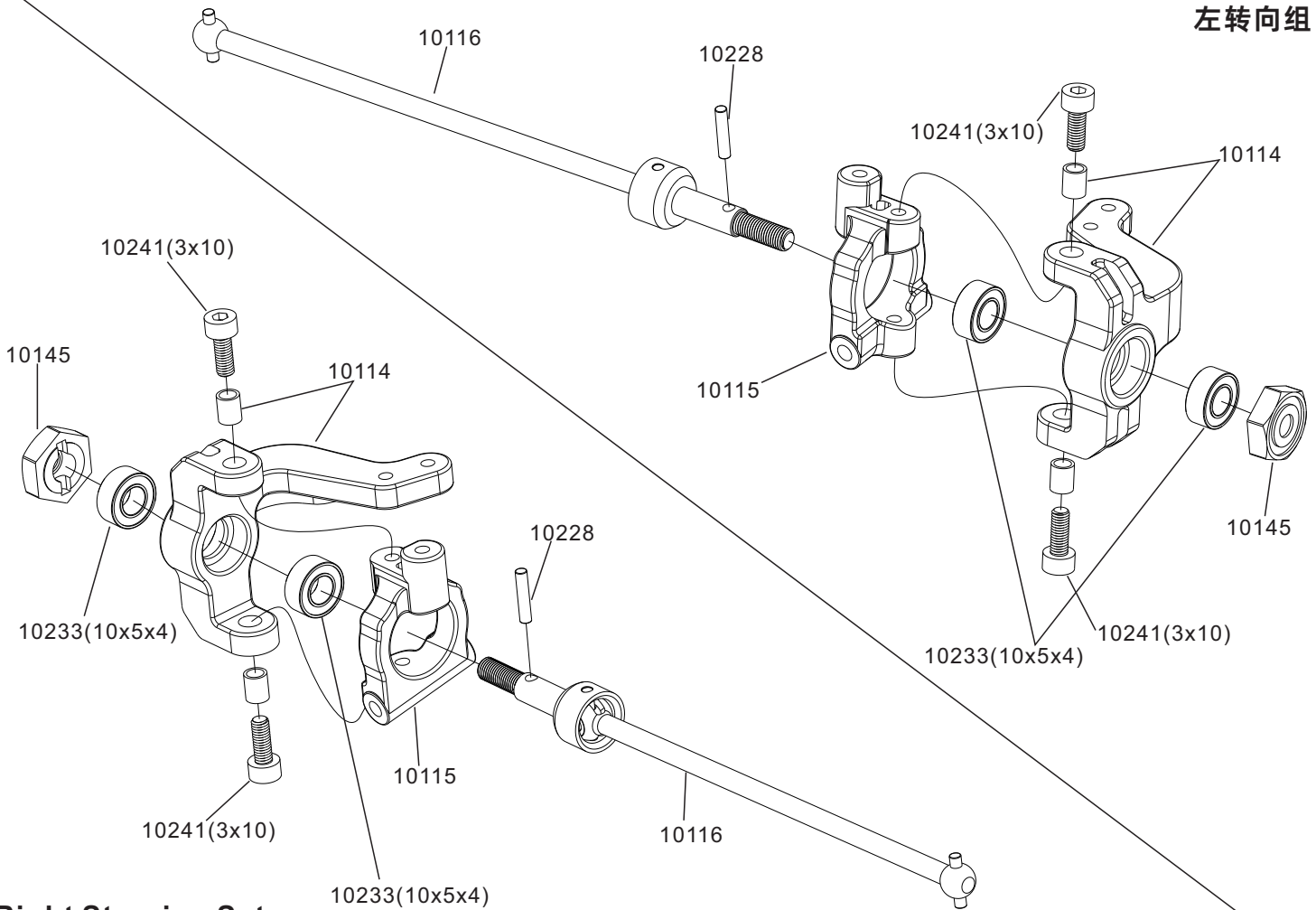
**Front Gear Box Assembly**  
前齿轮箱组装



**Front Shock Tower**  
前臂震板组装

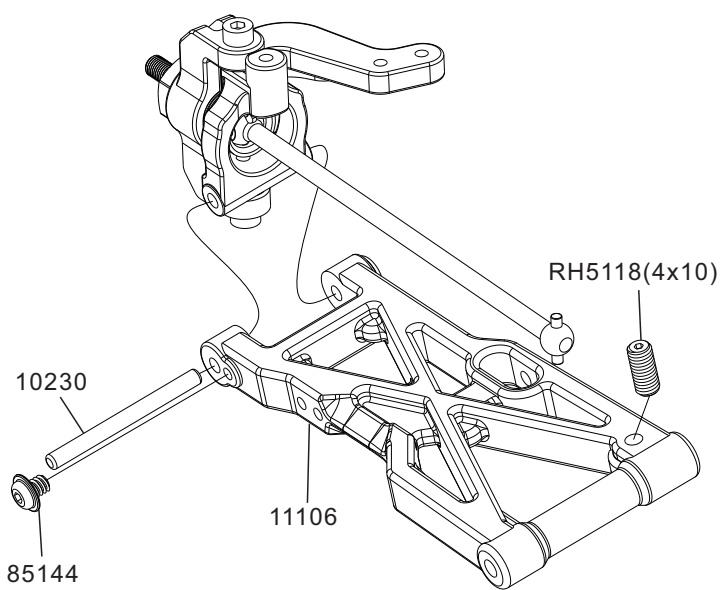


**Left Steering Set**  
左转向组

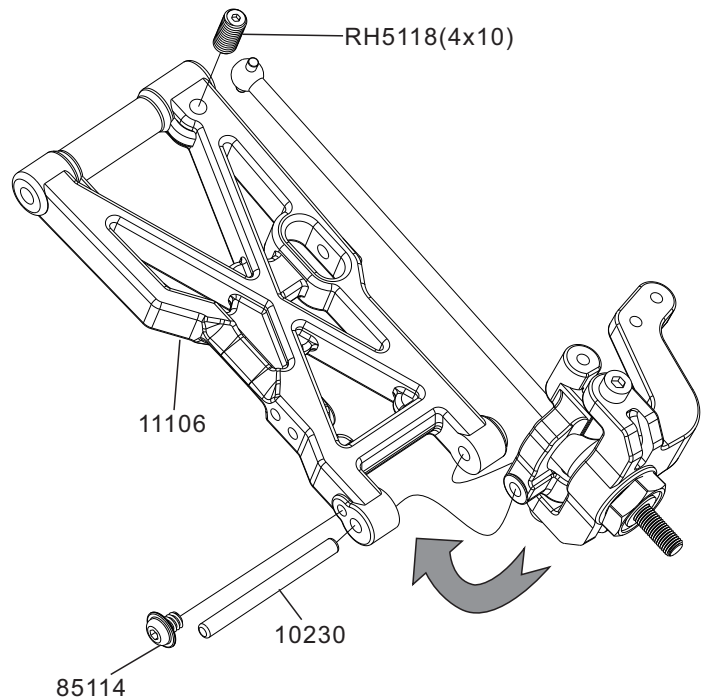


**Right Steering Set**  
右转向组

**Assemble right steering set  
with front suspension arm.**  
右转向组和前下摆臂组合

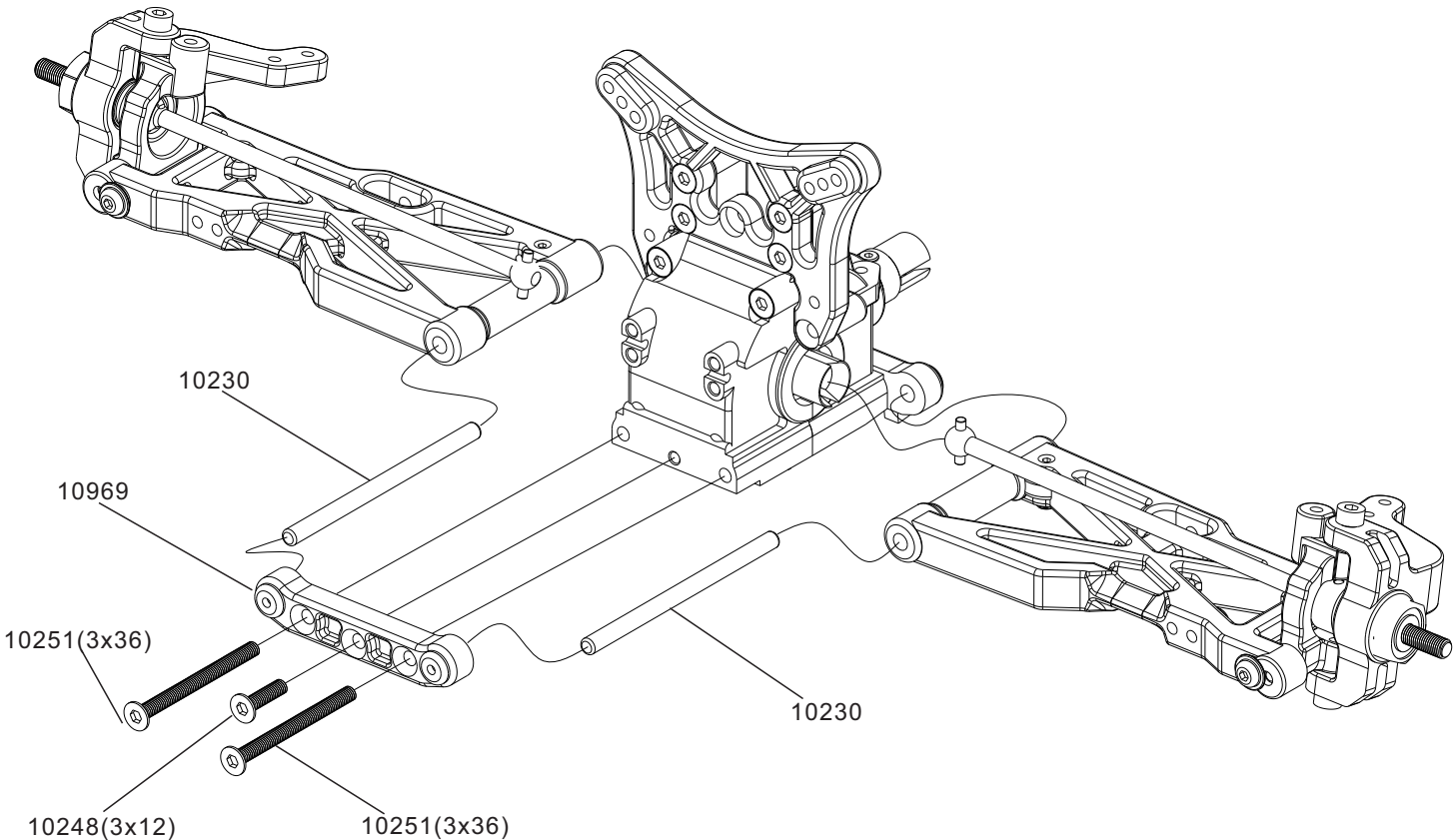


**Assemble left steering set  
with front suspension arm.**  
左转向组和前下摆臂组合



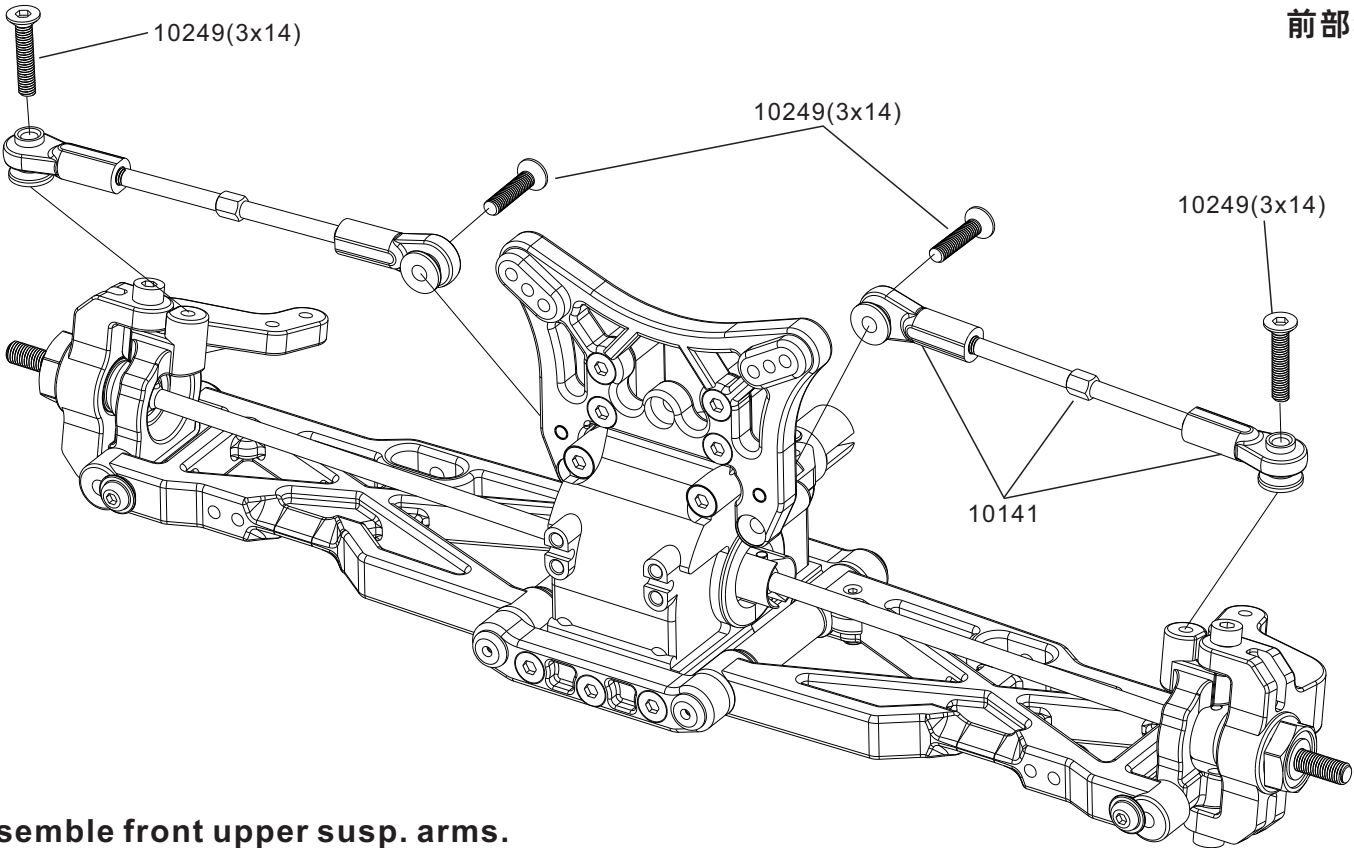
**Front Assembly C**  
前部套C

**Front Assembly D**  
前部套D



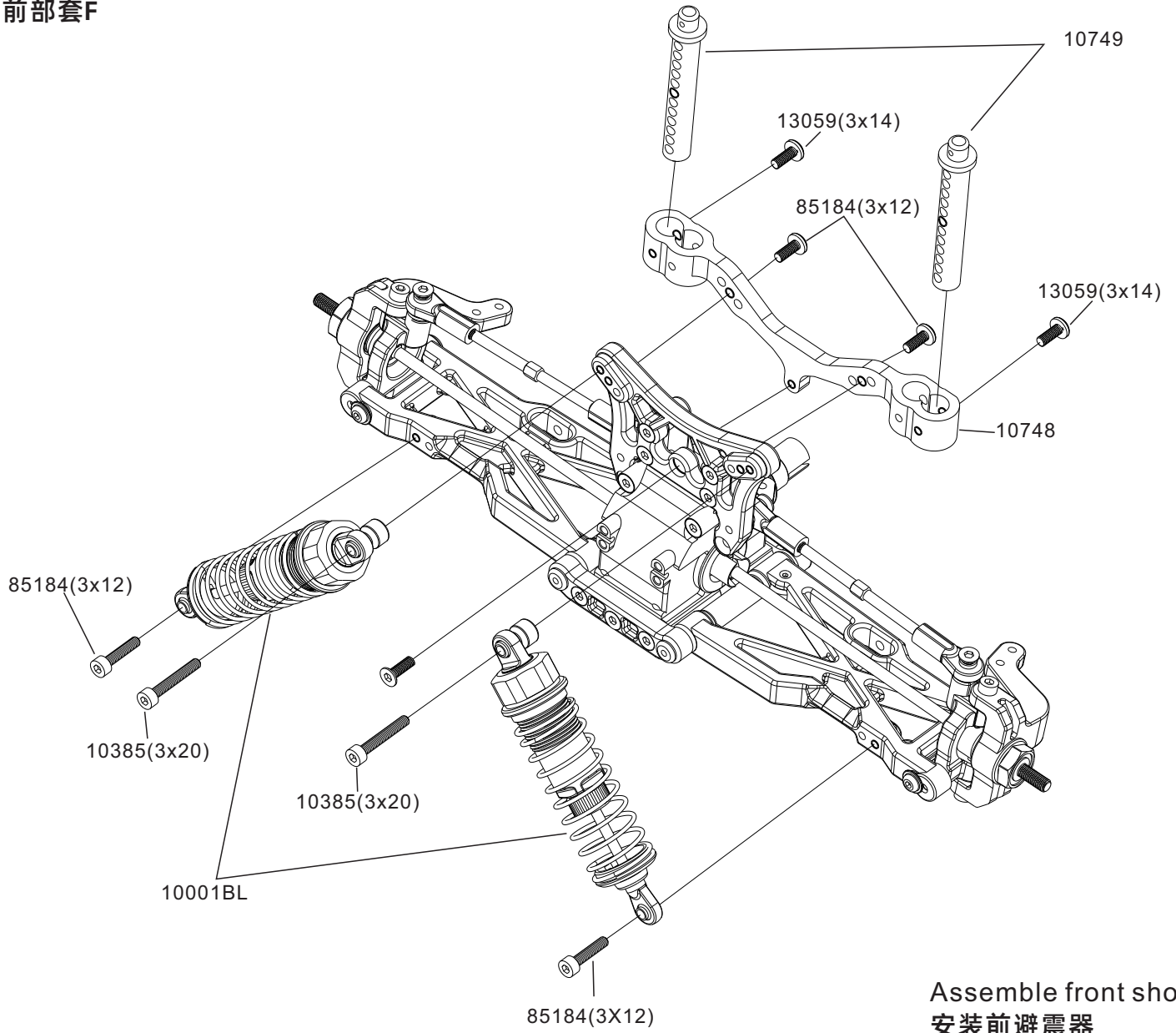
**Assemble front susp arm sets to front diff.set.**  
组装前摆臂组与前齿轮箱组

**Front Assembly E**  
前部套E

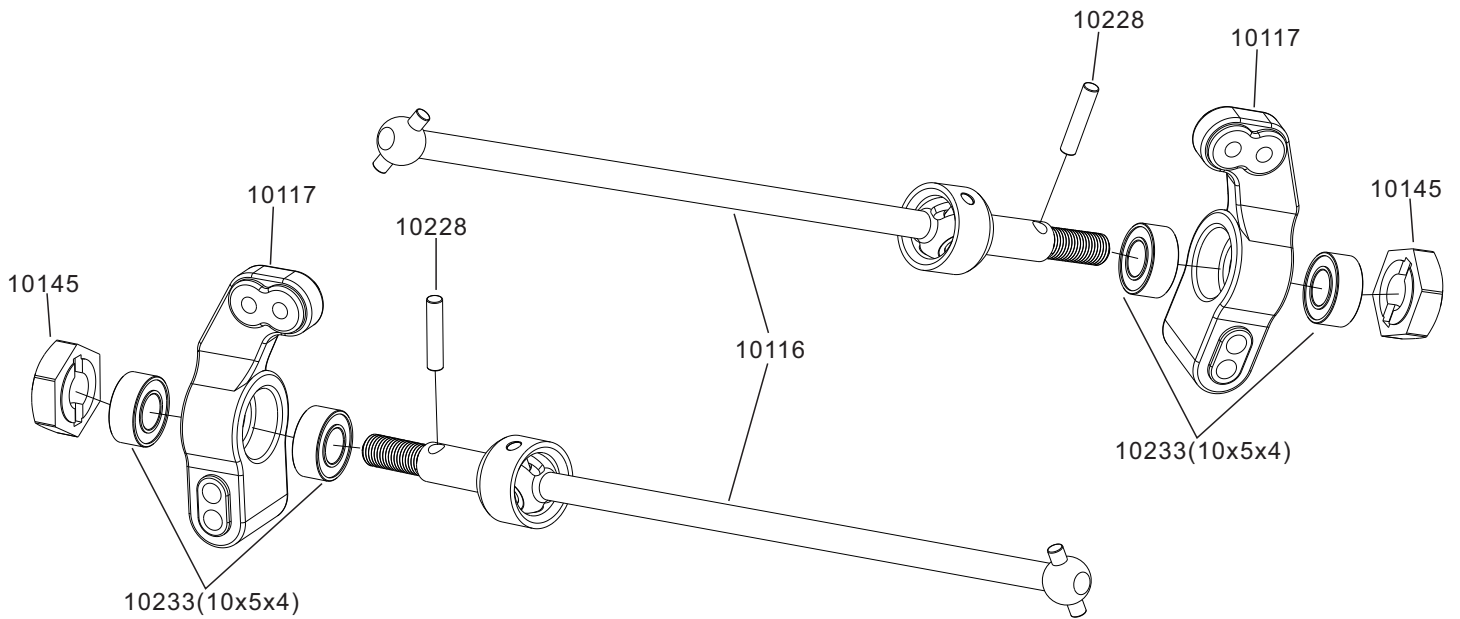


**Assemble front upper susp. arms.**  
组装前上拉杆组

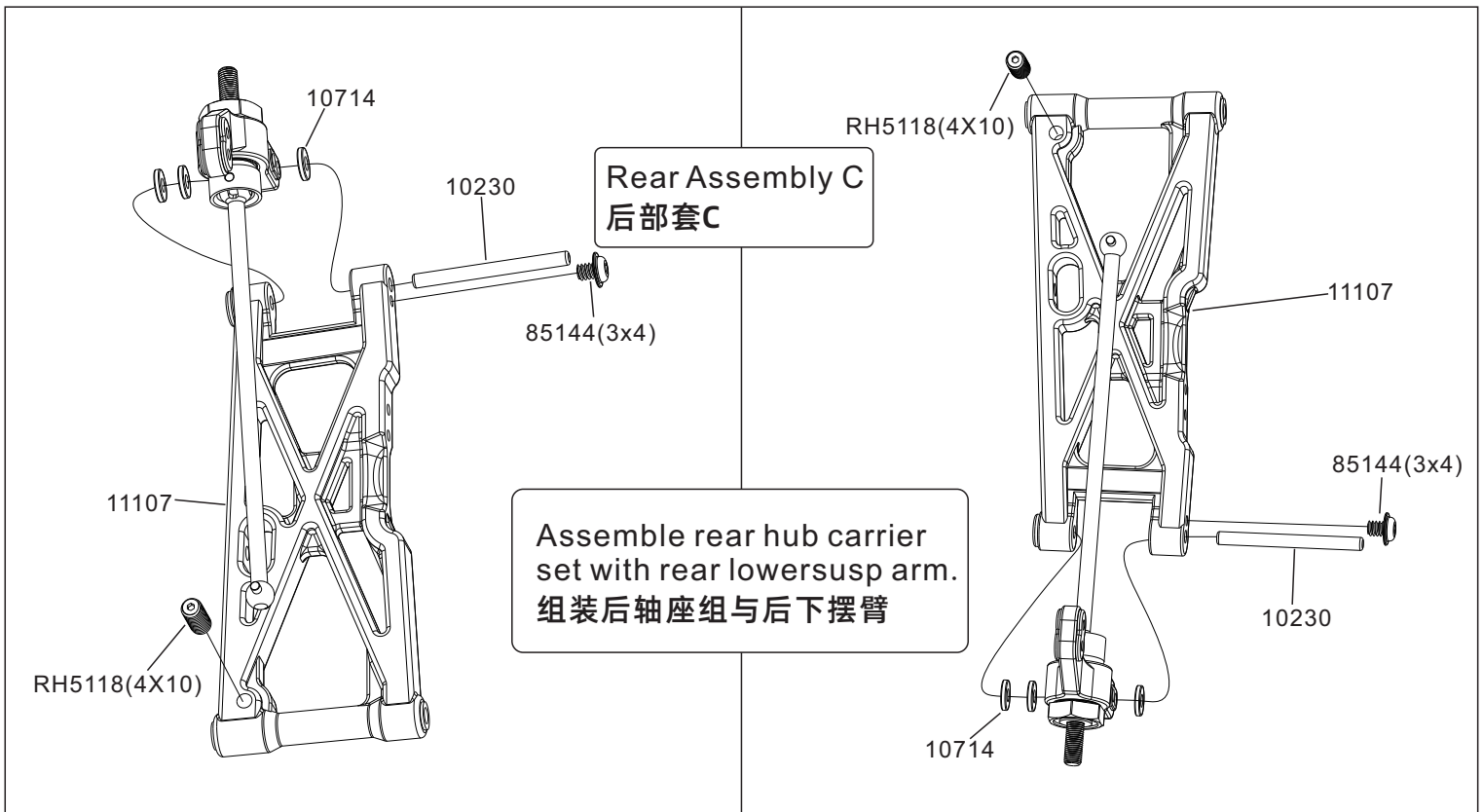
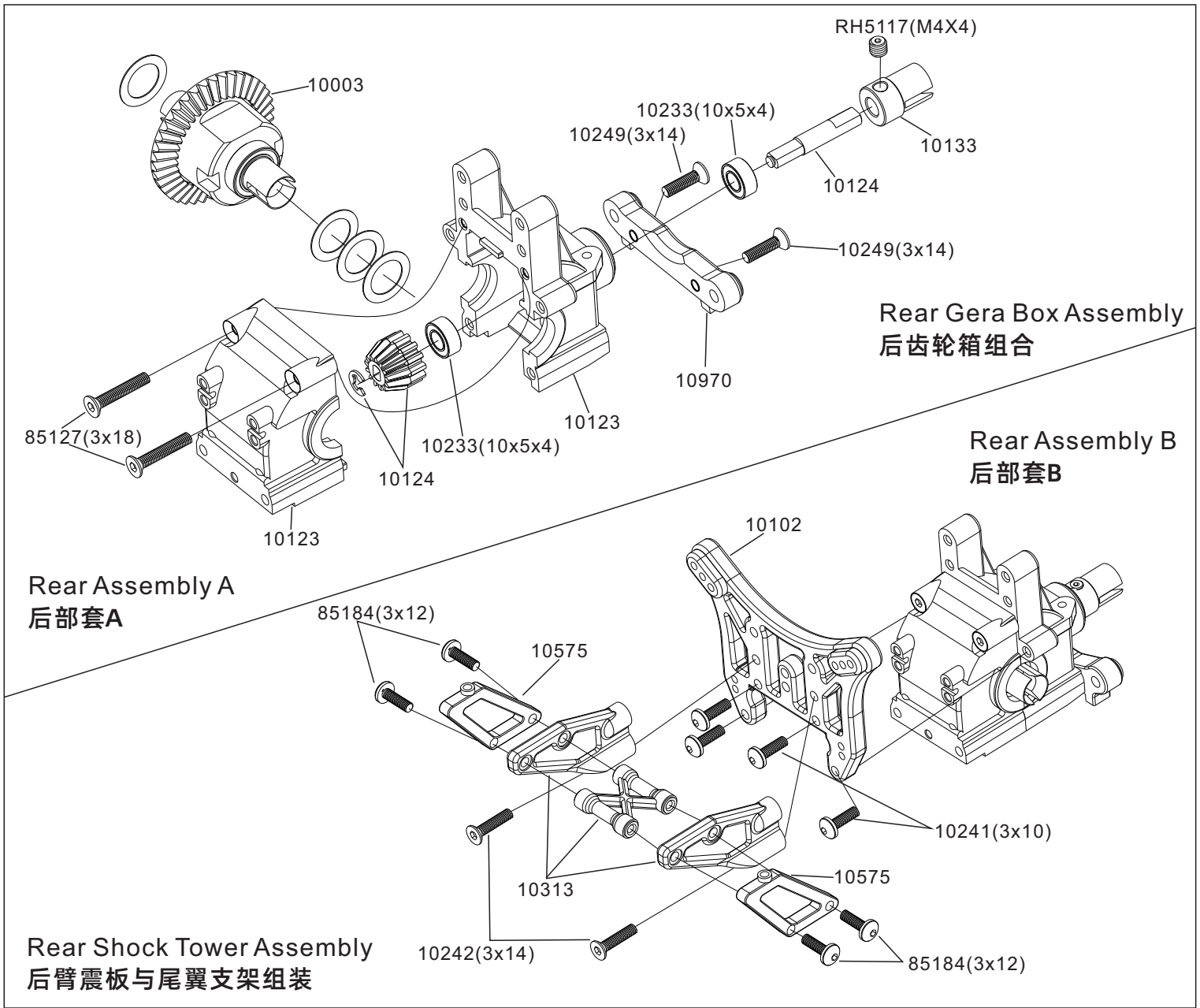
Front Assembly F  
前部套F



Assemble front shocks  
安装前避震器



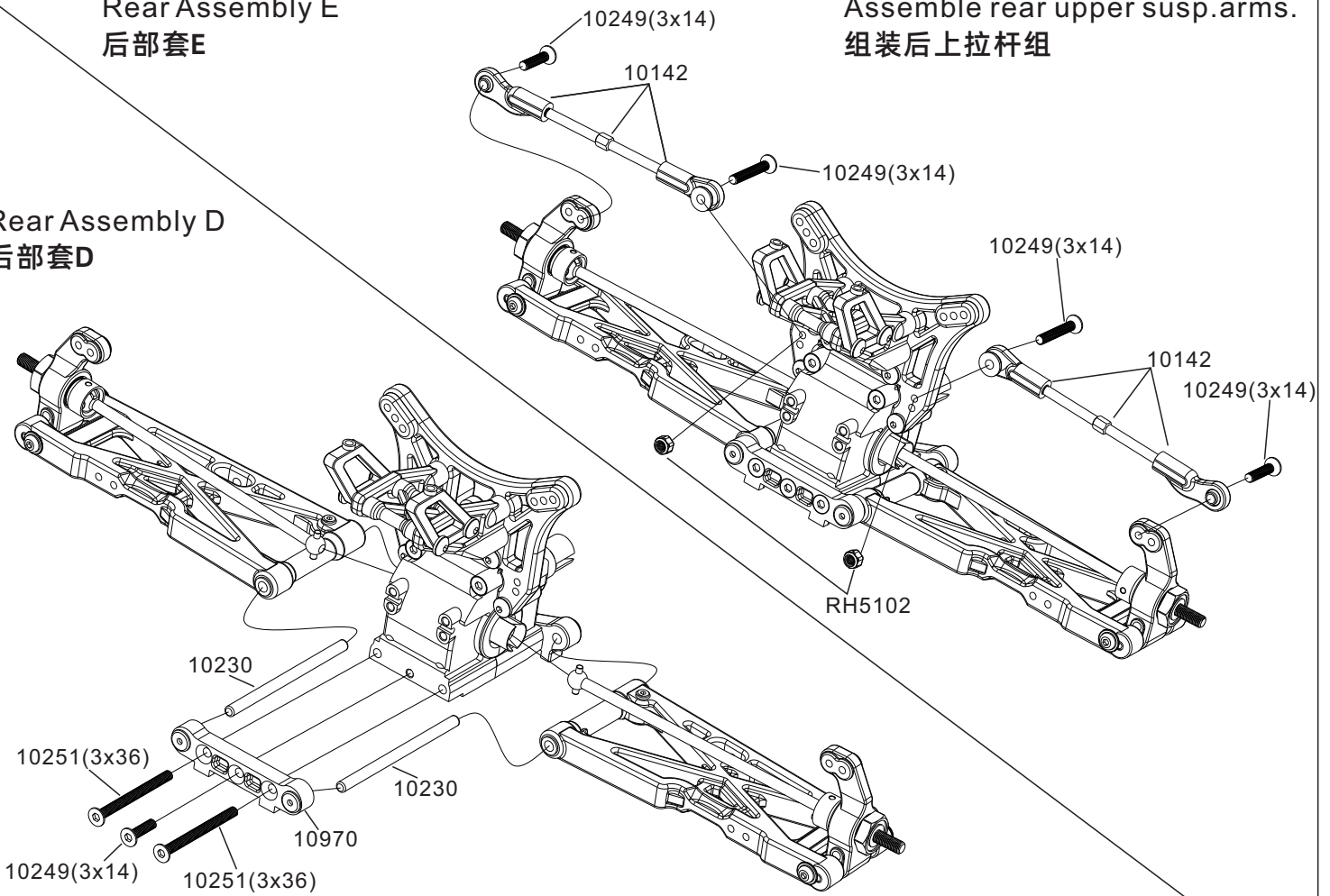
Rear Hub Carrier Set  
后轴座组



Rear Assembly E  
后部套E

Assemble rear upper susp. arms.  
组装后上拉杆组

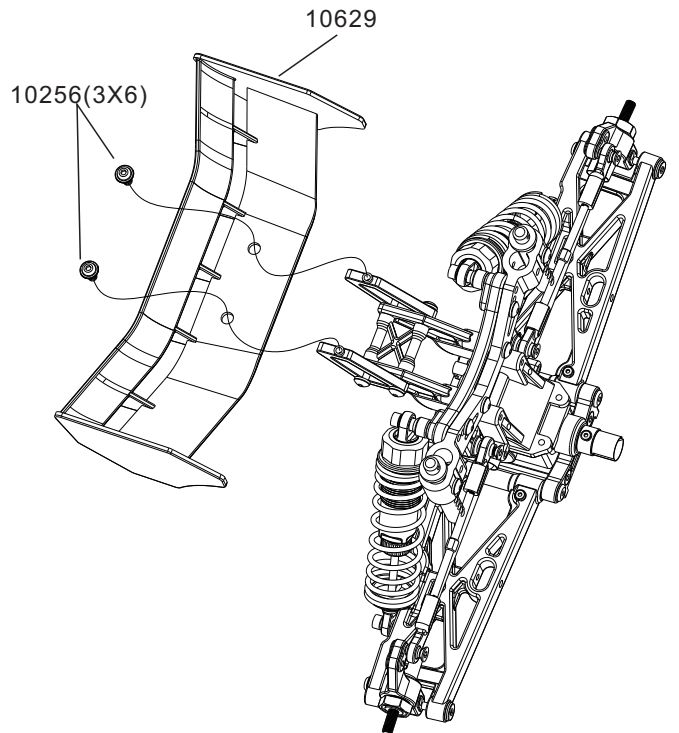
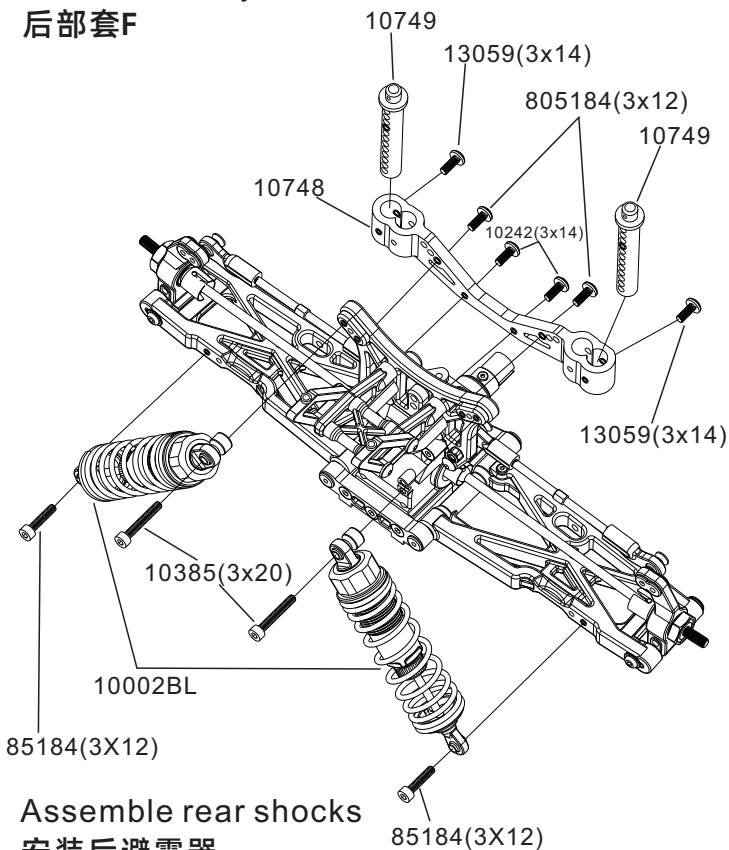
Rear Assembly D  
后部套D



Assemble rear susp. lower arms  
组装后摆臂组与后齿轮箱

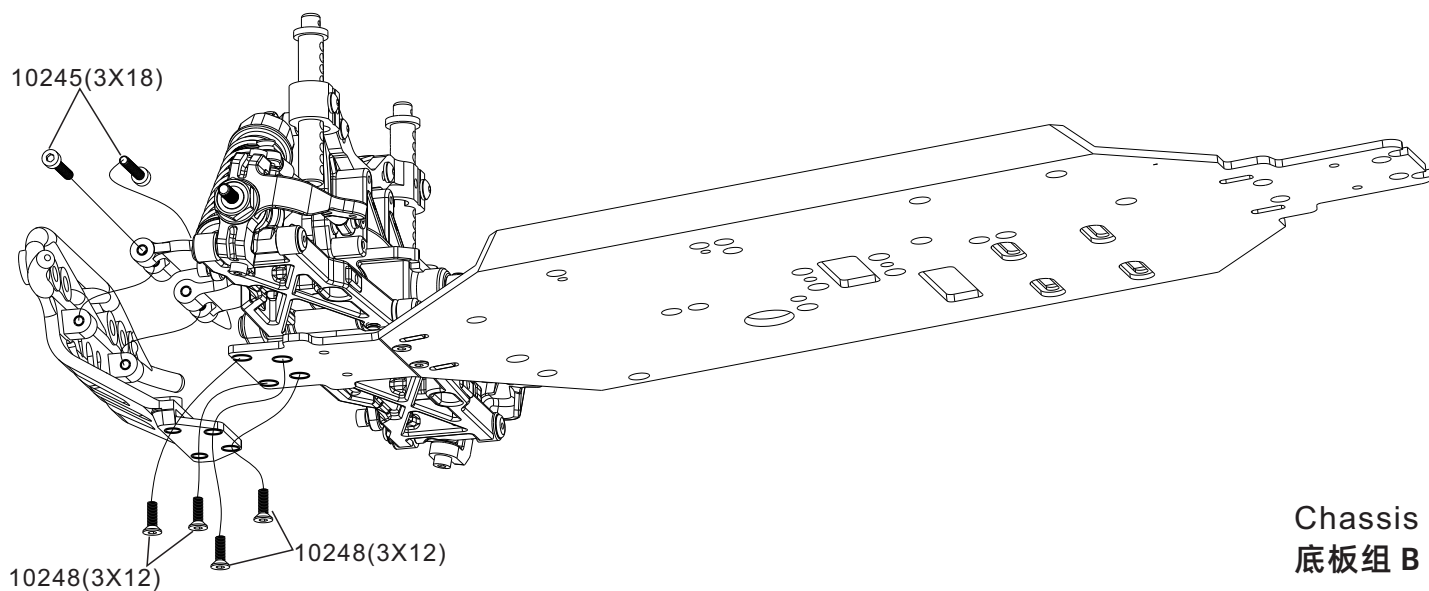
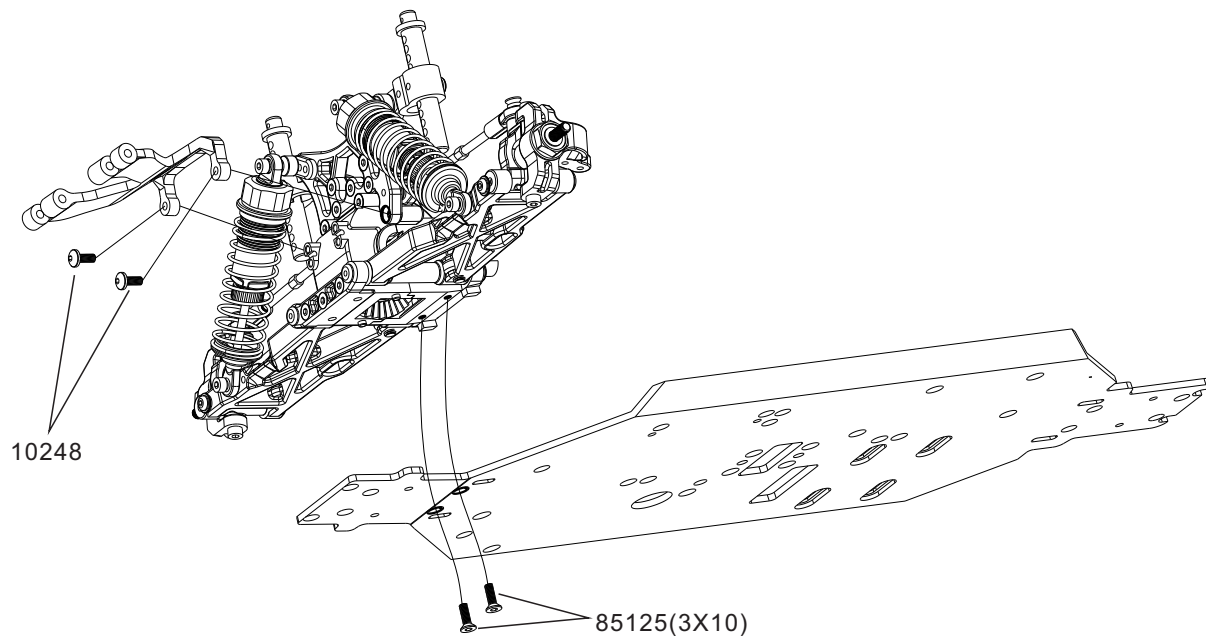
Rear Assembly F  
后部套F

Wing Assembly  
尾翼组

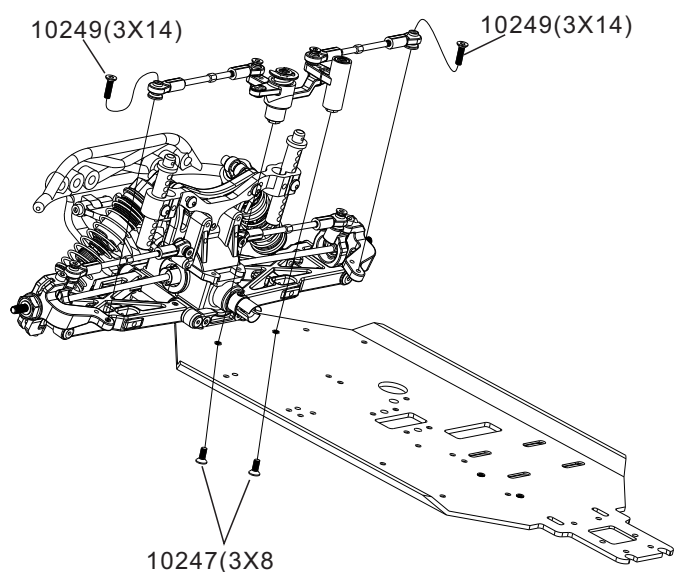


Assemble rear shocks  
安装后避震器

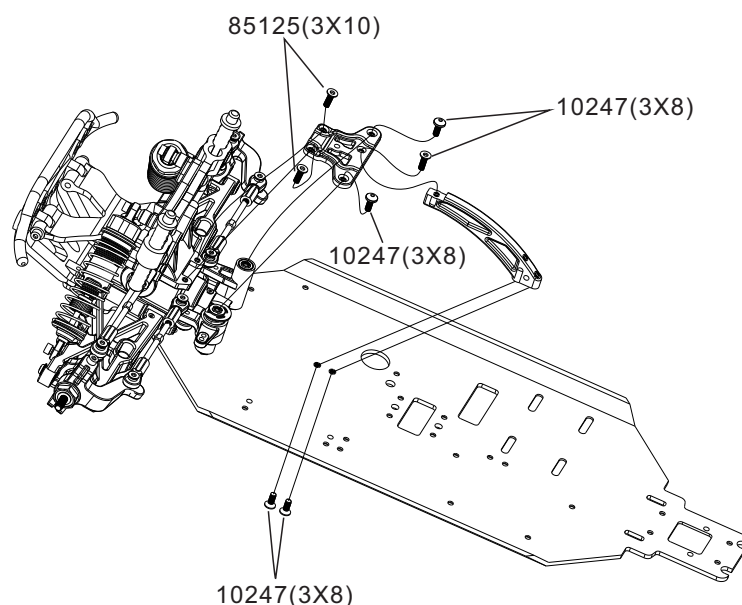
Chassis A  
底板组 A



Chassis B  
底板组 B

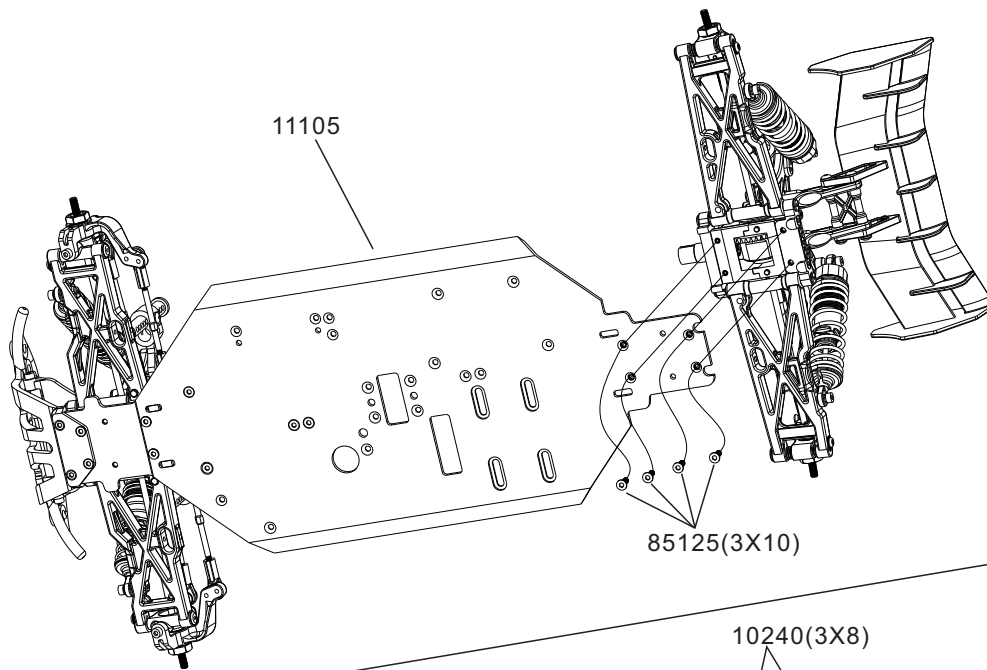


Chassis C  
底板组 C

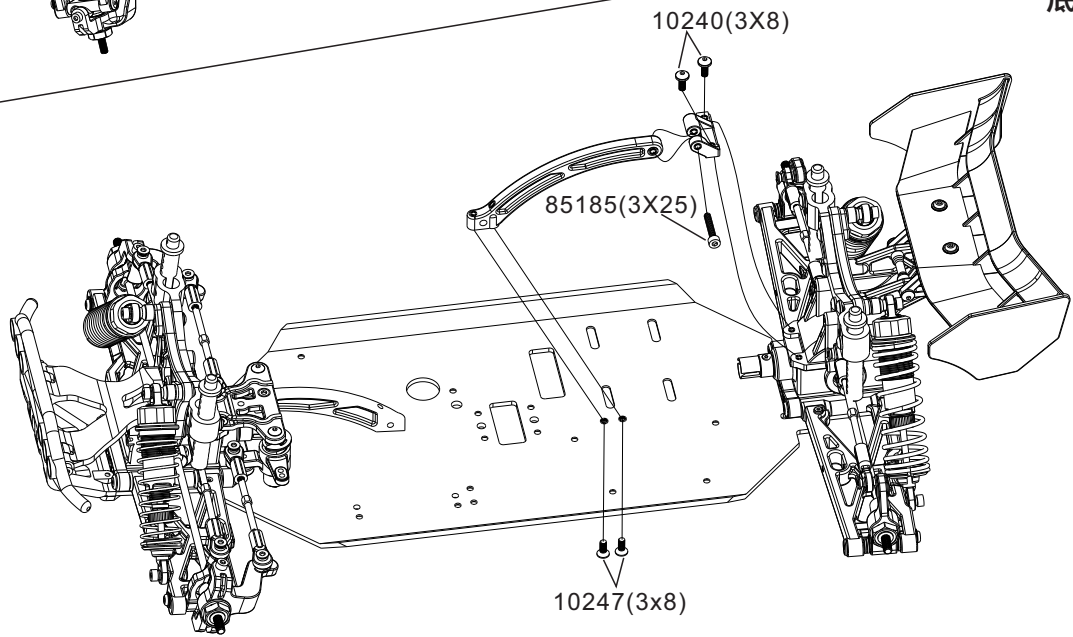


Chassis D  
底板组 D

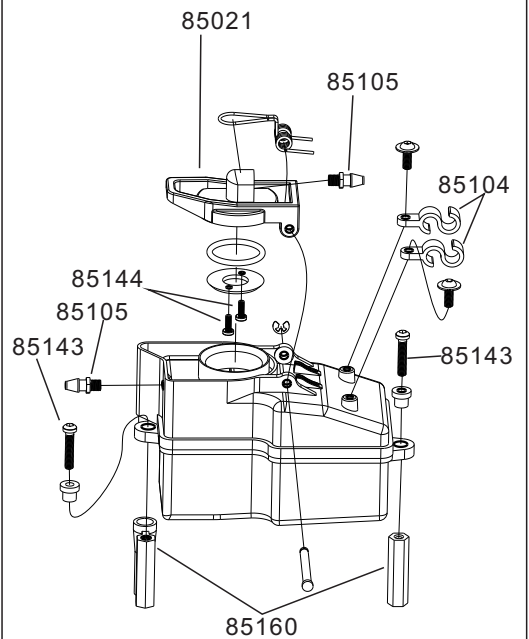
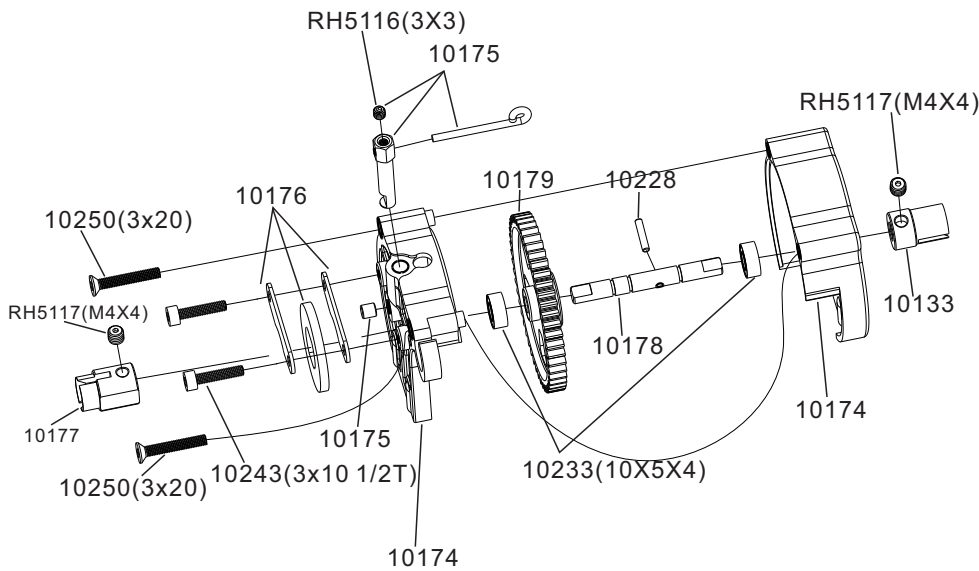
Chassis E  
底板组 E



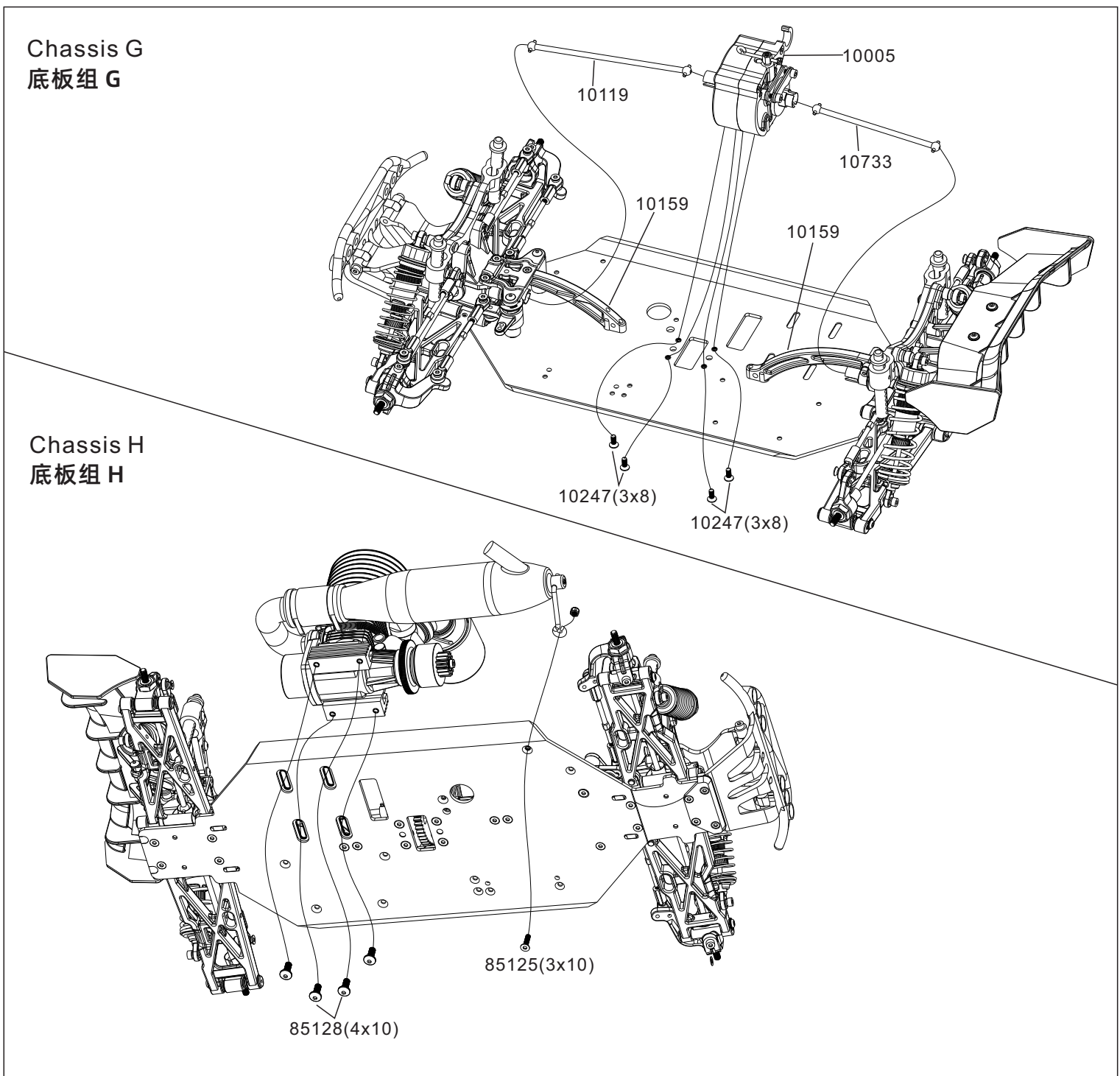
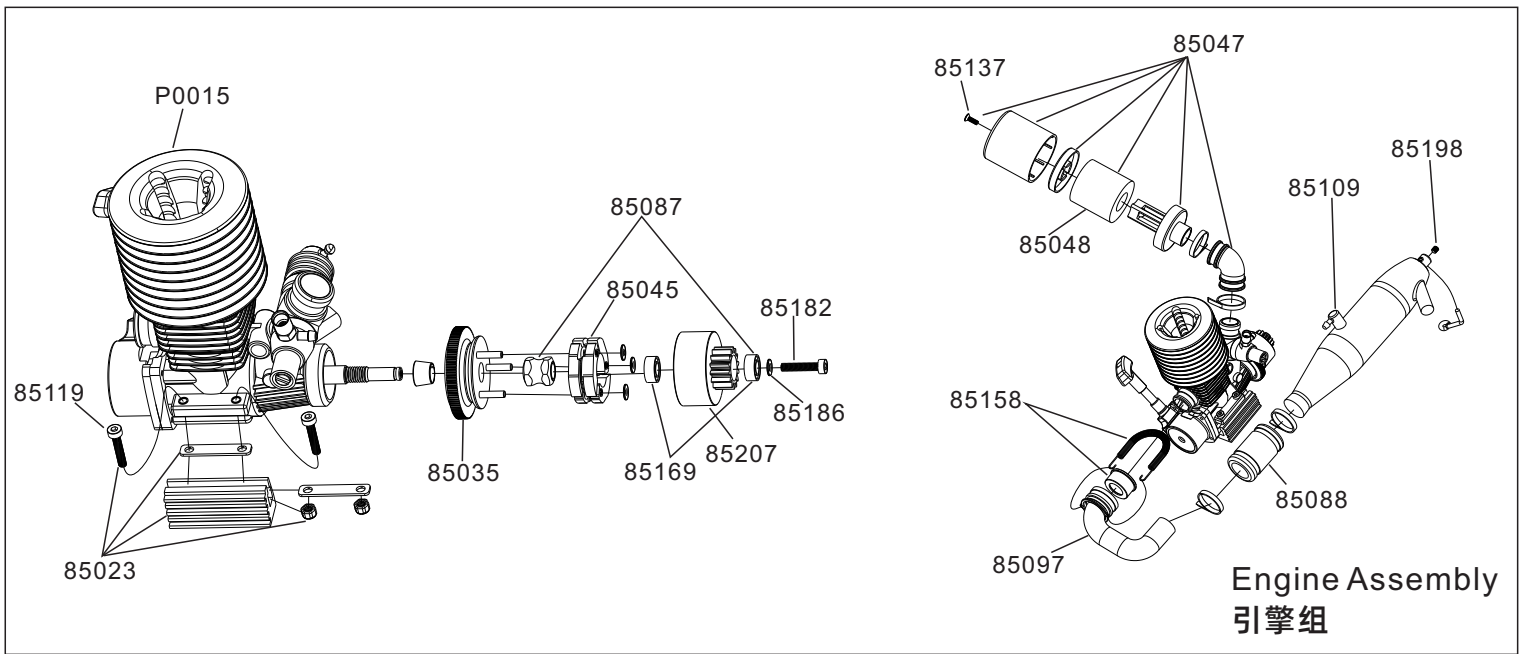
Chassis F  
底板组 F



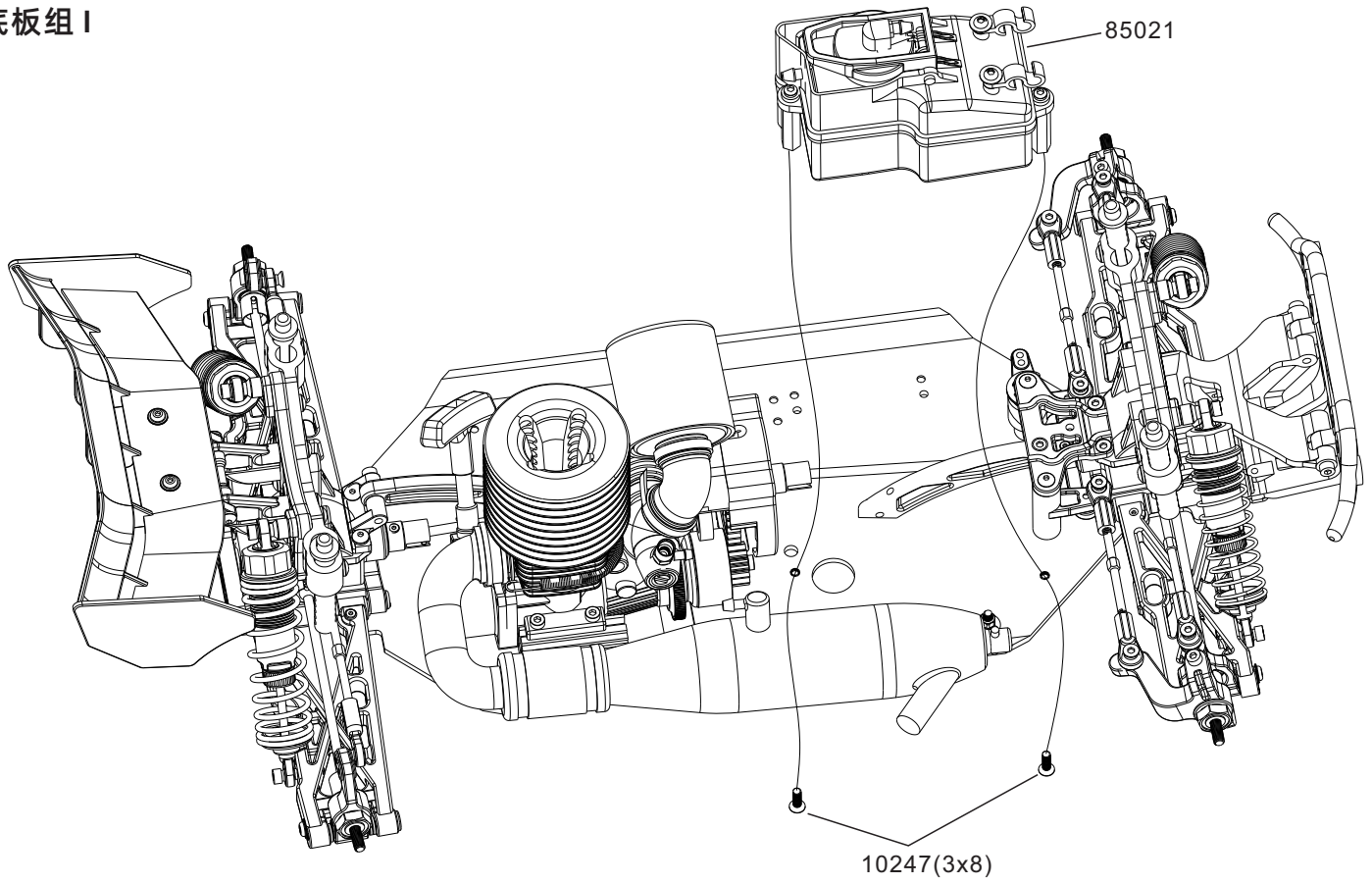
Centre Tranmssion  
中间传动装置



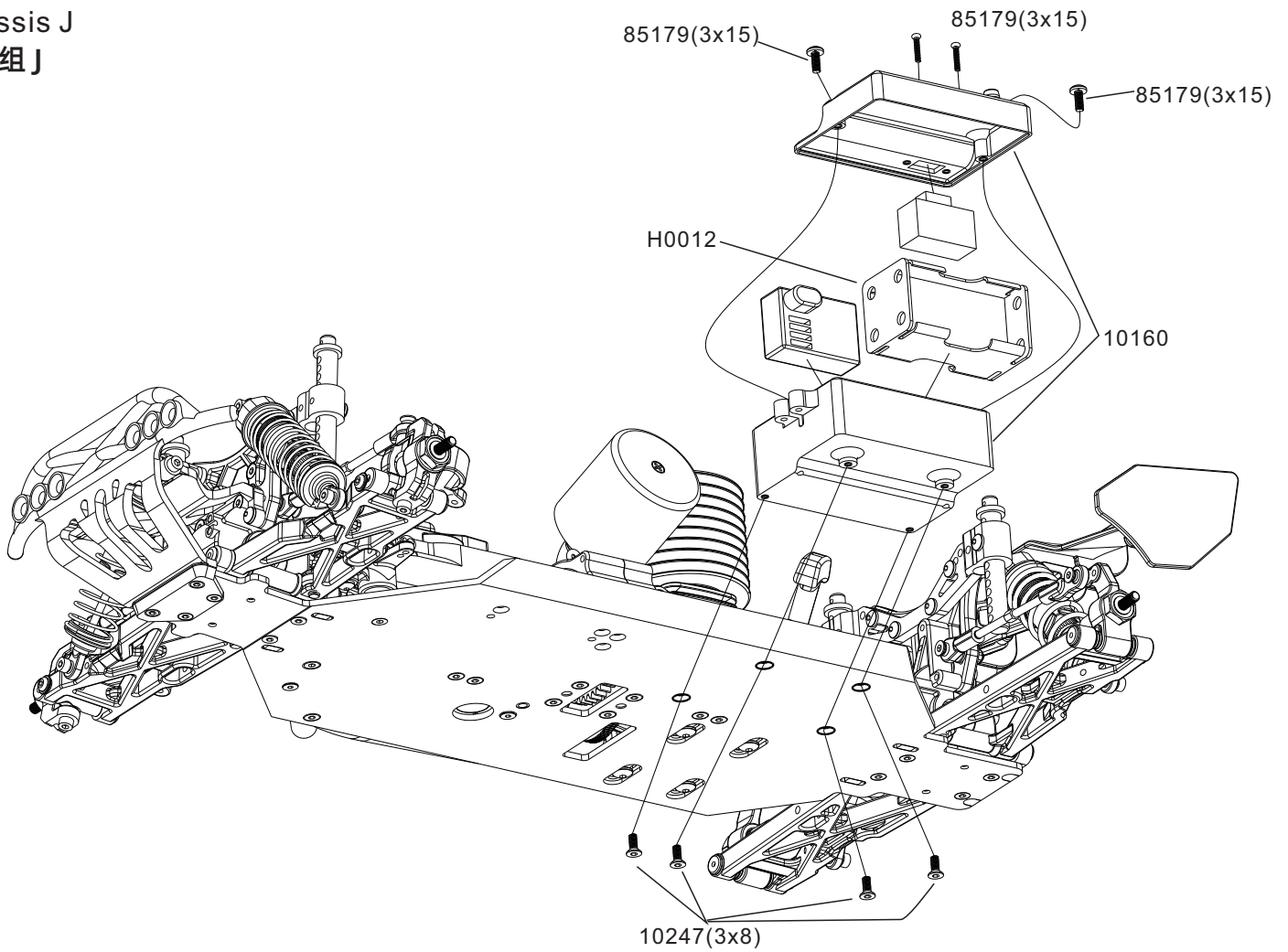
Fuel Tank Assembly  
油箱组



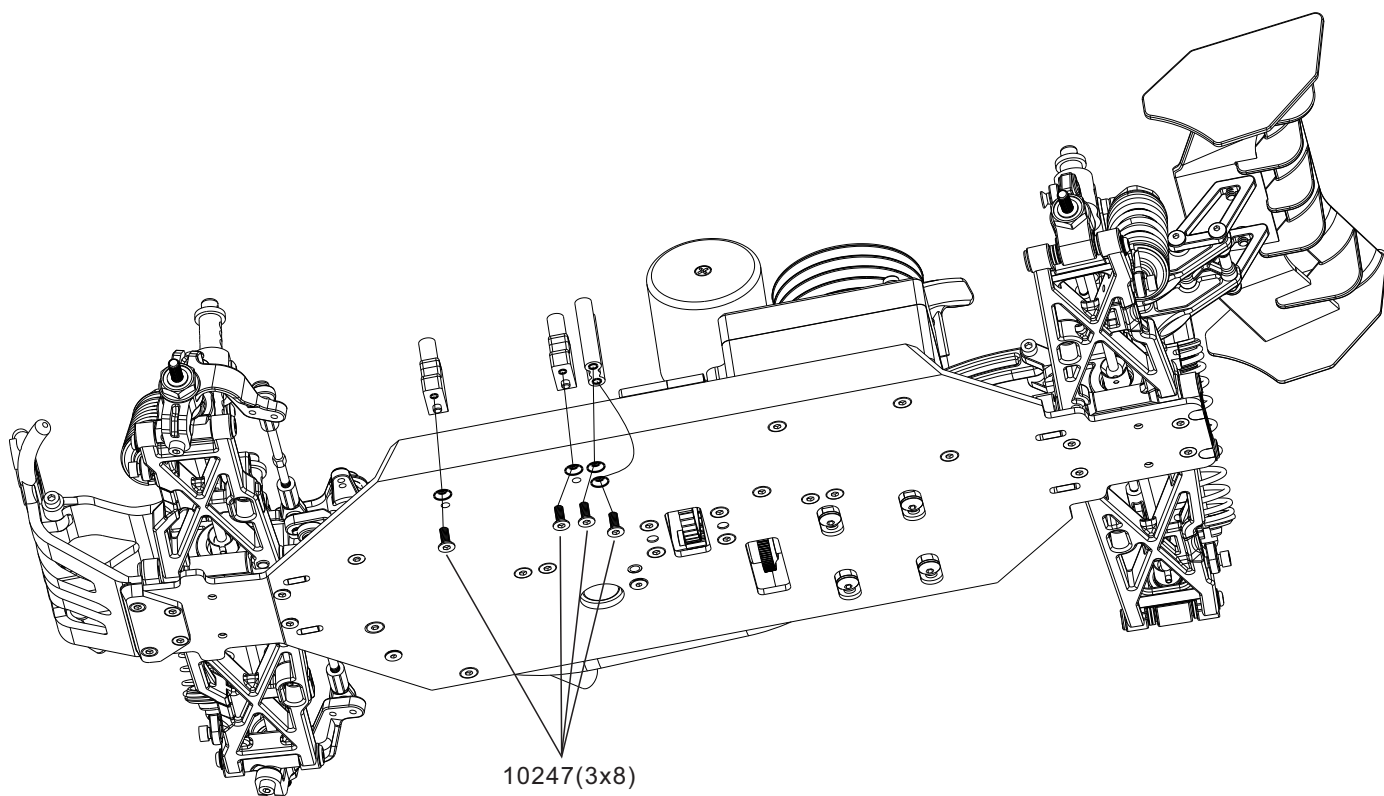
Chassis I  
底板组 I



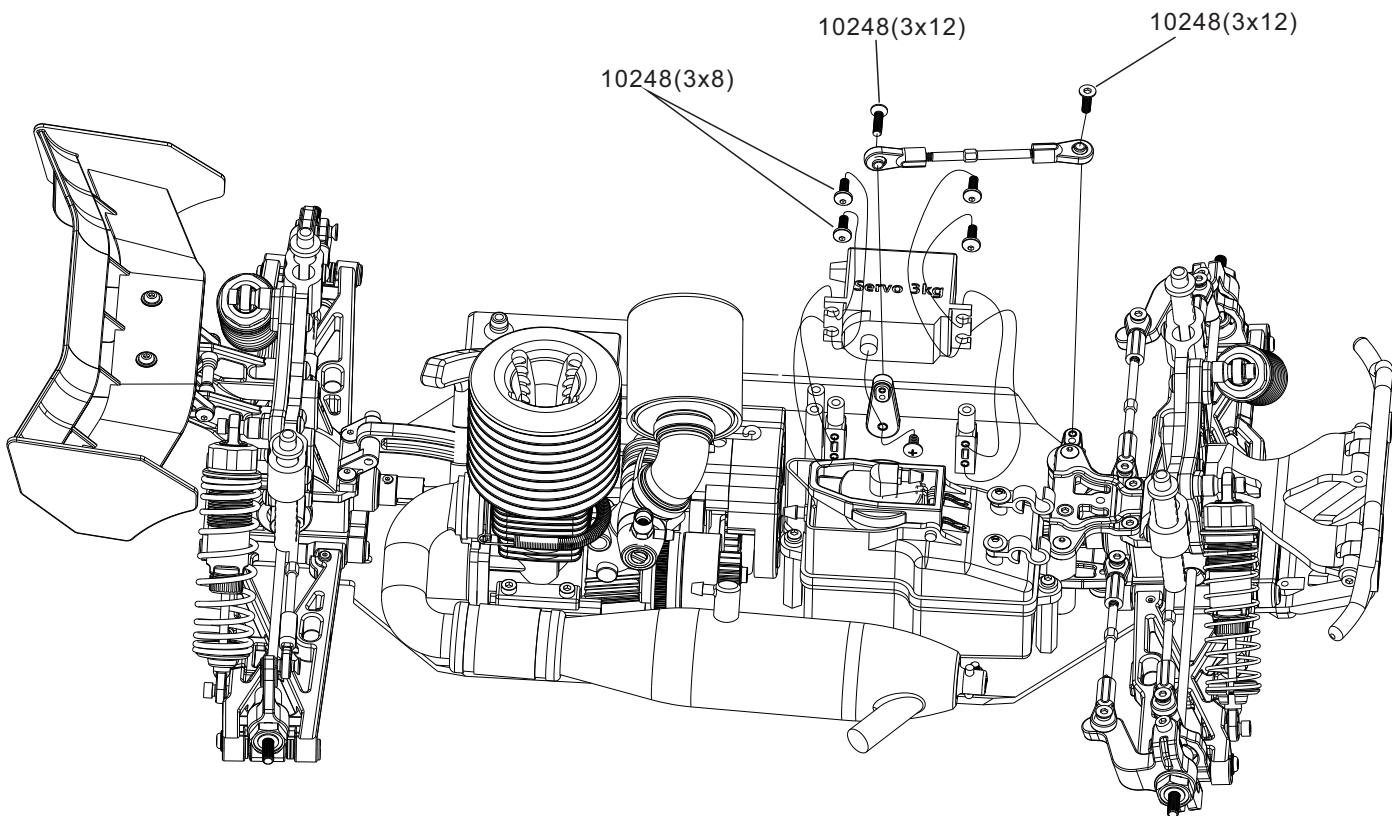
Chassis J  
底板组 J



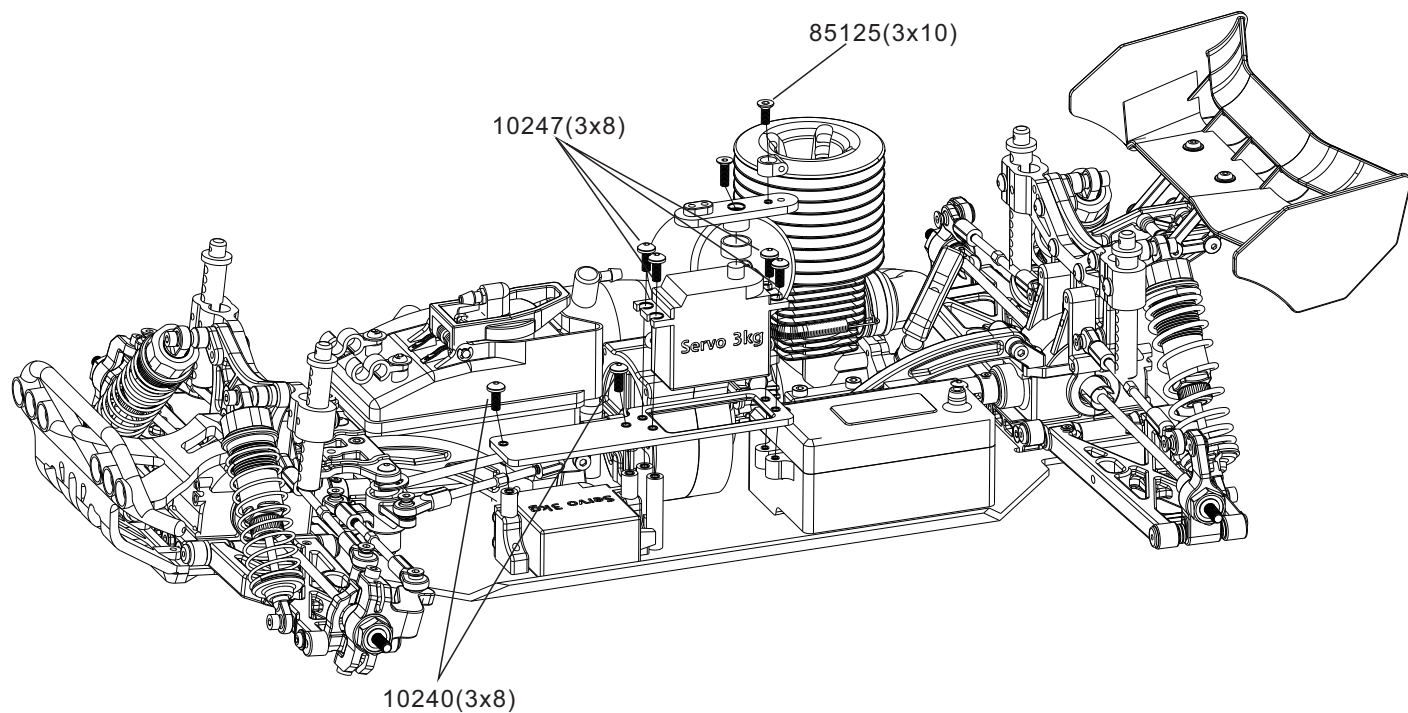
Chassis K  
底板组 K



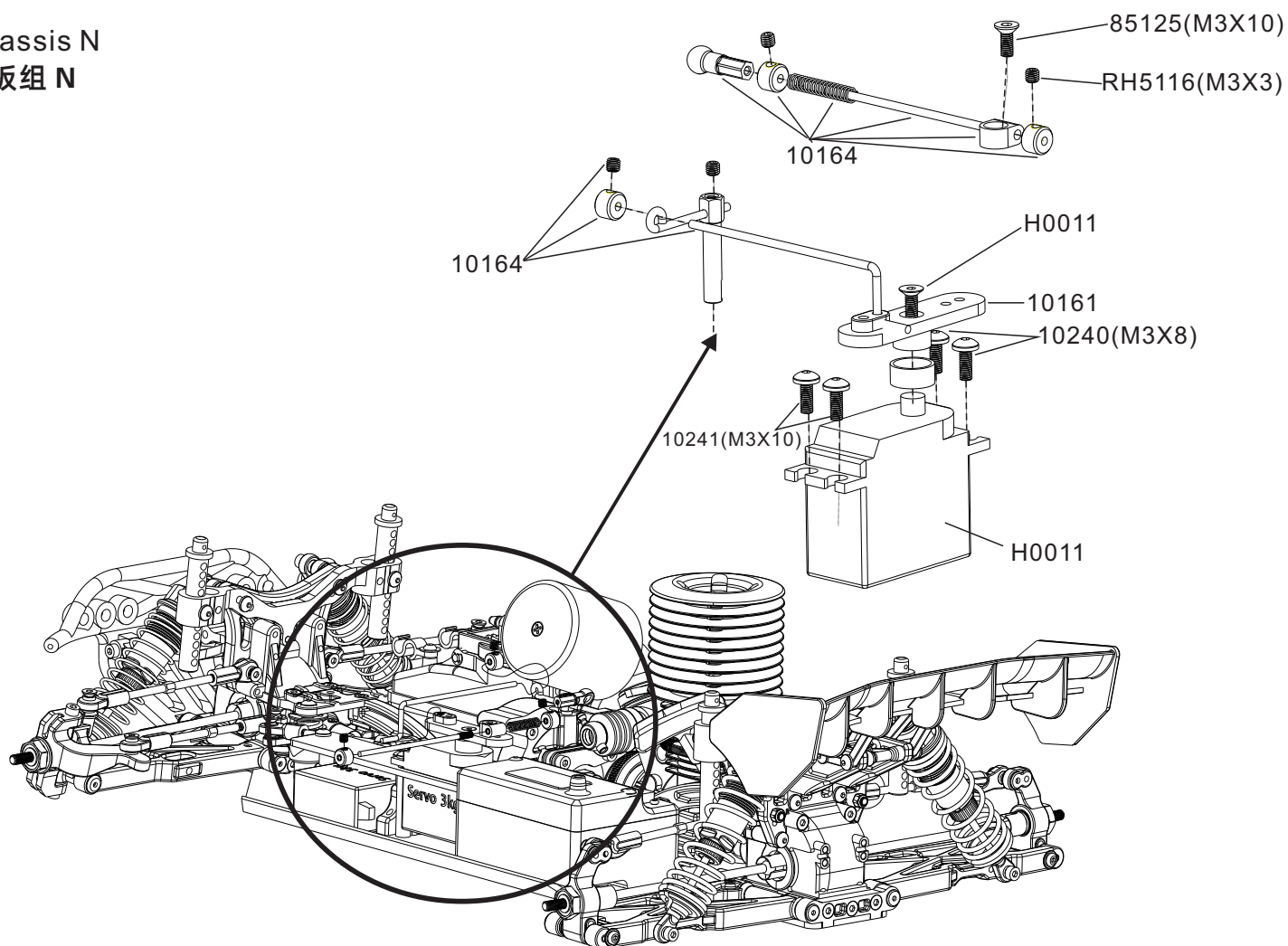
Chassis L  
底板组 L



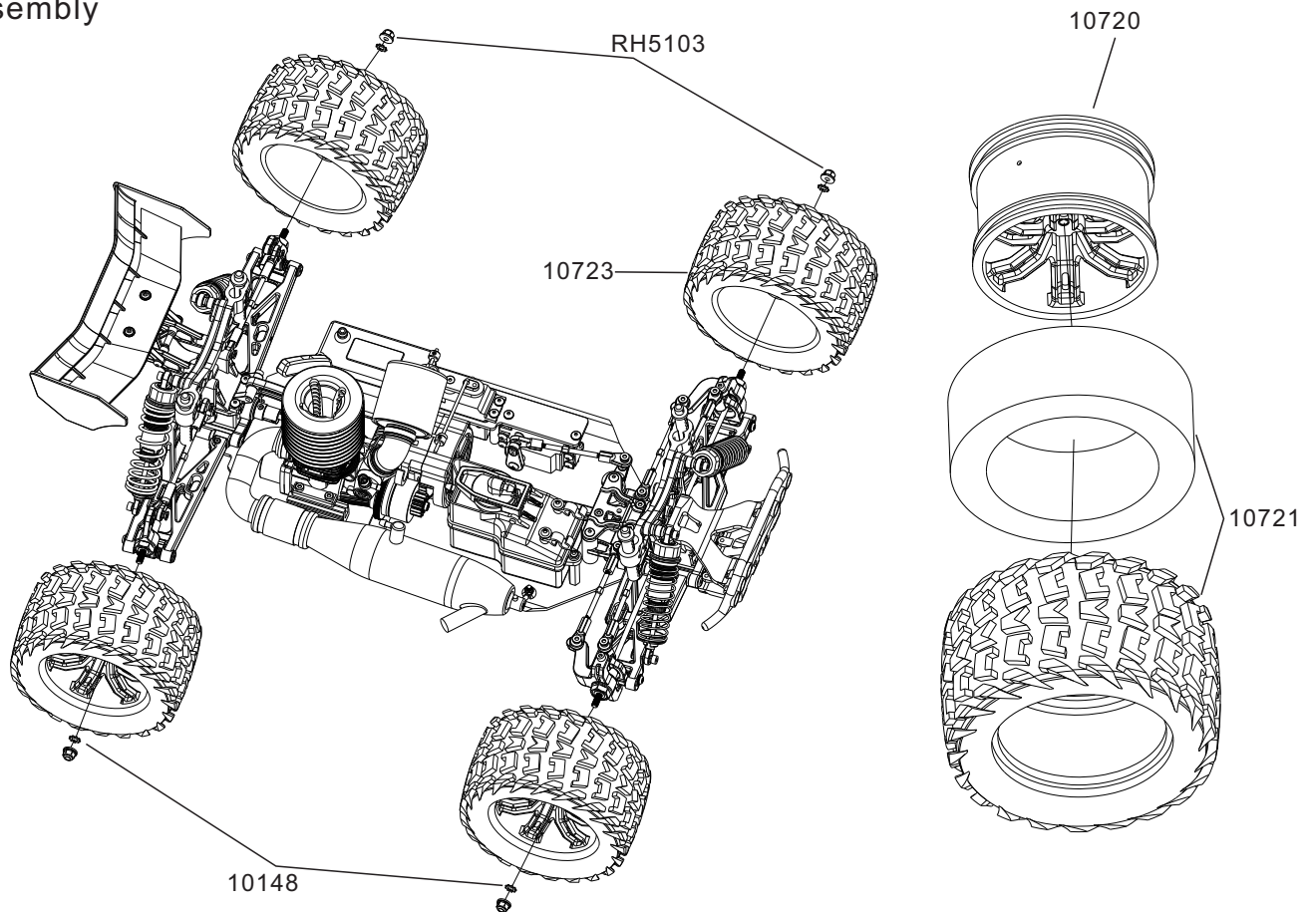
Chassis M  
底板组 M



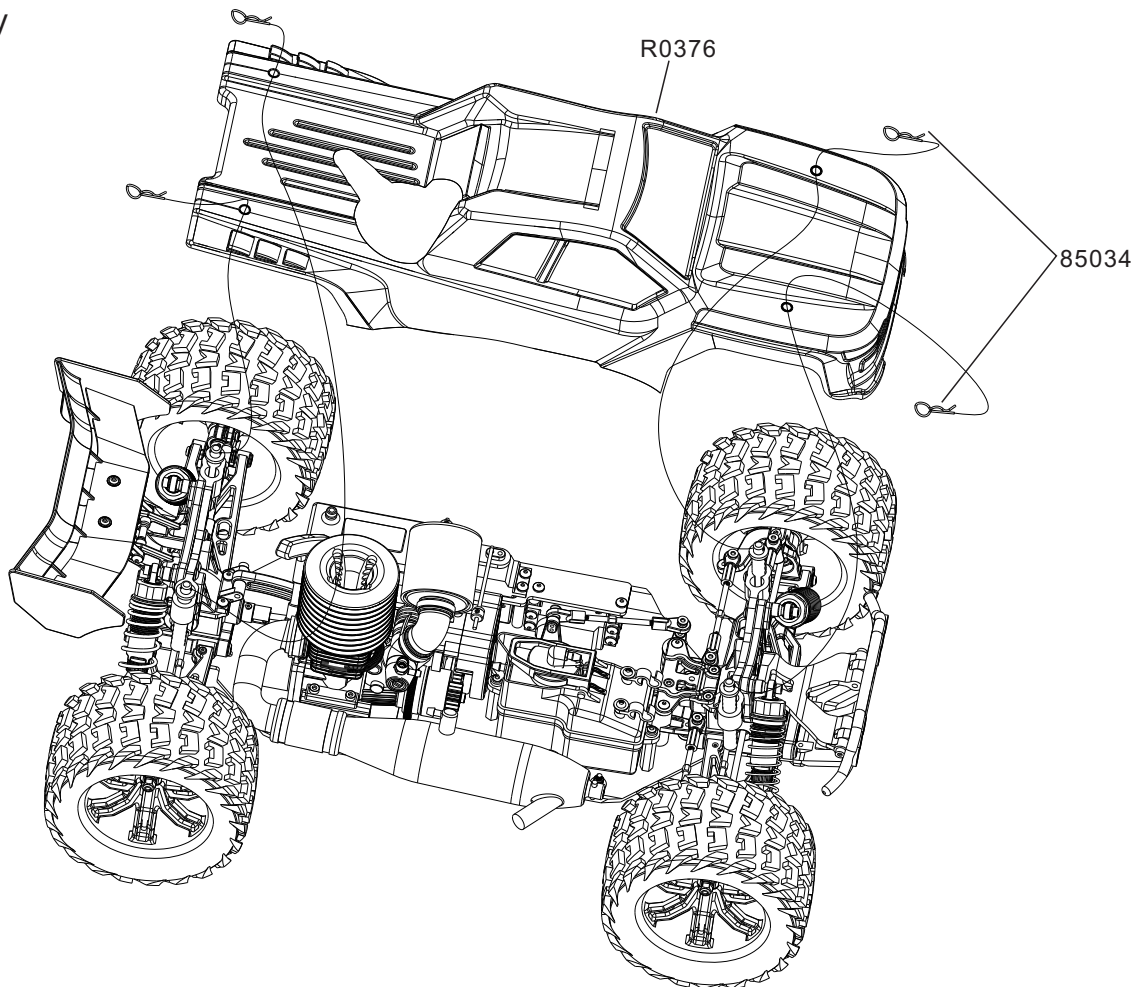
Chassis N  
底板组 N



Tyres Assembly  
组装轮胎






















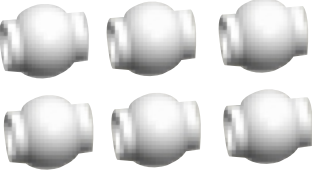


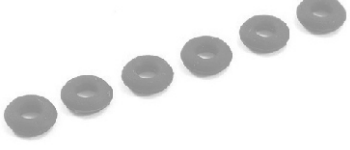
Body Assembly  
组装车壳























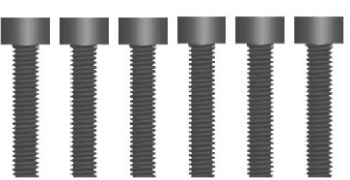




# Parts Listing

<p>10001BL-Front Shocks 2pc</p> 	<p>10002BL-Rear Shock Tower 2pc</p> 	<p>10003-Diff Gearbox Set 1set</p> 	<p>10101-Front Shock Tower 1pc</p> 
<p>10102 -Rear Shock Tower 1pc</p> 	<p>10103-Front Shock Spring 2pc</p> 	<p>10104-Rear Shock Spring 2pc</p> 	<p>10105-Front Shock Shaft &amp; Piston Set 2sets</p> 
<p>10106-Rear Shock Shaft &amp;Piston Set 2sets</p> 	<p>10107-Front Shock Body 2pc</p> 	<p>10108-Rear Shock body 2pc</p> 	<p>10109-Shock Upper Cap 2sets</p> 
<p>10110-Shock Lower Caps 2sets</p> 	<p>10111-Shock Lower holder &amp; Adjust Ring 2sets</p> 	<p>11106-Front Lower Susp. Arm 2pc</p> 	<p>11107-Rear Lower Susp. Arm 2pc</p> 
<p>10114-Steering Knuckle Arm 1set</p> 	<p>10115-Uprights 2pc</p> 	<p>10116-Front CvD 2pc</p> 	<p>10117-Rear Hub Carrier 2pc</p> 
<p>10119-Rear Dogbones 2pc</p> 	<p>10123-Gearbox Housing Set 2pcs</p> 	<p>10124-Diff. Drive Gear w/pin 2sets</p> 	<p>10125-Diff Case 2pcs</p> 

















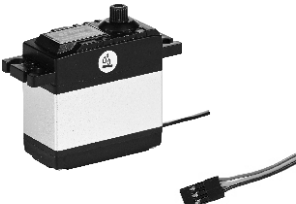


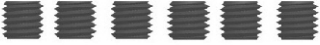


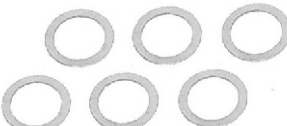
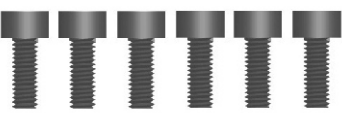
# Parts Listing

<p>10126-Diff Drive Spur Gear 2pcs</p> 	<p>10127-Diff Drive Gear 2pcs</p> 	<p>10128-Diff Bevel Gear S. 4pcs</p> 	<p>10129-Diff Bevel Gear B. 4pcs</p> 
<p>10130-Diff Pin 2pcs</p> 	<p>10132-Diff Drive Cup 4pcs</p> 	<p>10133-Center Coupler 3pcs</p> 	<p>10136-Servo Saver Post 2pcs</p> 
<p>10137-Steering Ackerman</p> 	<p>10141-Front Upper Susp.Arm 2sets</p> 	<p>10142-Rear Upper Susp.Arm 2sets</p> 	<p>10143-Steering Arm 2sets</p> 
<p>10144-Servo Linkage 1pc</p> 	<p>10145-Wheel Hub 4pcs</p> 	<p>10135-Servo Saver(EP)1set</p> 	<p>10153-Metal Bushing 8*5*2.5 6pc</p> 
<p>10210-Sway Bar 2Sets</p> 	<p>10214-Shock Ball End 6pcs</p> 	<p>10215-Servo Link Ball End 6pcs</p> 	<p>10216-Steering Linkage Ball End 6pcs</p> 
<p>10220-Ball A 6pcs</p> 	<p>10221-Ball B 6pcs</p> 	<p>10222-Ball C 6pcs</p> 	<p>10224-Shock 0-ring(Lower)6pcs</p> 



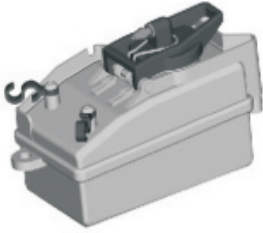
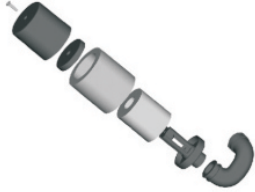

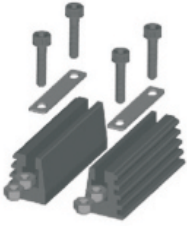
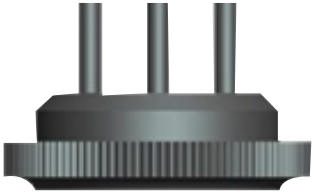
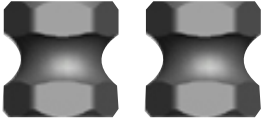



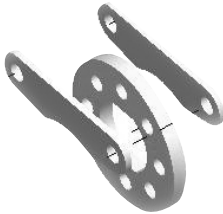

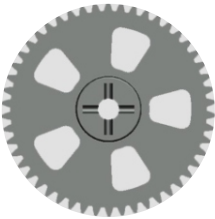

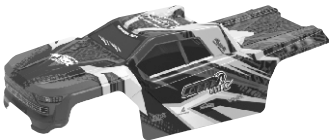
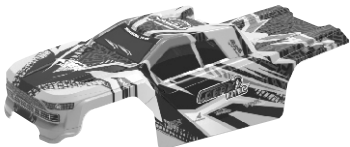
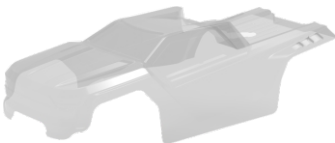
# Parts Listing

<p>10225-Diff 0-ring Seal 6pcs</p> 	<p>10226-Shock Seal Cover 4pcs</p> 	<p>10228-Pin <math>\phi 2 \times 10</math> 6pcs</p> 	<p>10230-Hinge Pins(long &amp; short) 2sets</p> 
<p>10232-Ball Bearing 15*10*4 6pcs</p> 	<p>10233-Ball Bearing 10*5*4 6pcs</p> 	<p>10237-E clip-2.5mm 6pc</p> 	<p>10238-Round Head Self Tapping Hex Screw 2*10 6pc</p> 
<p>10240-Button Head Hex Screw M3*8 6pc</p> 	<p>10241-Button Head Hex Screw M3*10 6pc</p> 	<p>10242-Button Head Hex Screw M3*14 6pc</p> 	<p>10247-Flat Head Hex M3*8 6pc</p> 
<p>10248-Flat Head Hex Screw M3*12 6p</p> 	<p>10249-Flat Head Hex Screw M3*14 6p</p> 	<p>10251-Flat Head Hex Screw M3*36 6p</p> 	<p>10256-Ring Self Tapping Sorew</p> 
<p>13091-Front Bumper</p> 	<p>10313-Wing Bracket 1set</p> 	<p>10748-Body Posts Holder .1 set</p>  <p>10749-Body Posts .1 set</p> 	<p>10385-Cap Head Hex Screw M3*20 6pc</p> 
<p>10575-Wing Bracket 2pc</p> 	<p>10629-Buggy Tail Wing 1pc</p> 	<p>10713-Washer 6.9*3.5*1.1 6pcs</p> 	<p>10720-Rims 2pcs</p> 

# Parts Listing

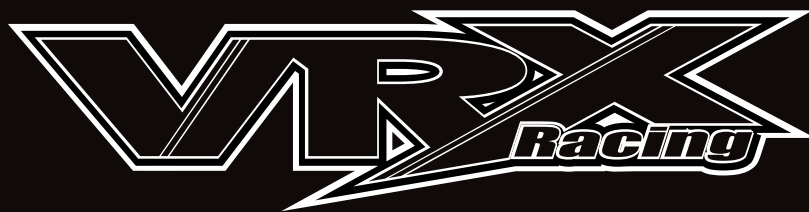
<p>10721-Tyre/foam insert 2pcs</p> 	<p>10723-Wheel 2pcs</p> 	<p>10733-Central drive shaft R. 1pc</p> 	<p>10734-Servo mount 2pcs</p> 
<p>10969-Front Susp. Holders</p> 	<p>10970-Rear Susp. Holders</p> 	<p>11068-C clip-7.3mm 4pcs</p> 	<p>85034-Body Clip(Medium Size)6pcs</p> 
<p>85125-Flat Head Hex Screw M3*10 8p</p> 	<p>85127-Flat Head Hex Screw</p> 	<p>85137-Flat Head self Tapping screw set M3*10 12pcs</p> 	<p>85144-Ring Self Tapping Screw M3*4 4pc</p> 
<p>85173-Flat Head Hex Screw M4*10 6p</p> 	<p>85175-Round Head Self Tapping Hex Screw 3*10 8pcs</p> 	<p>85182-Cap Head Hex Screw M3*10 6pC</p> 	<p>85184-Button Head Hex Screw M3*12 6pc</p> 
<p>H0010 -9kg/cm Servo 1pc</p> 	<p>H0138-2.4G Transmitter+receiver 1set</p> 	<p>RH5103-Nylon Lock Nut-M4 6pc</p> 	<p>RH5117-Set Screw M4*4 6pc</p> 
<p>RH5118-Button Head Hex Screw M4*10 6pc</p> 	<p>RH5190-E clip-4mm 6pc</p> 	<p>RH5526-Diff 16T Gear Washer 6pcs</p> 	<p>RH5562-Cap Head Hex Screw M3*8 6pc</p> 

# Parts Listing

<p>13059-Button Head Self Tapping HexScrew 3*14 6P</p> 	<p>11098-Bodyclips string (Long)2pcs</p> 	<p>85021-Fuel Tank 125cc</p> 	<p>85021-Fuel Tank 125cc</p> 
<p>85048-Air Filter Sponge 2P</p> 	<p>85207-Clutch Bel1 14T 1p Powder Metallurgy</p> 	<p>85023-Engine MountSet</p> 	<p>85035-Flywheel 1pc</p> 
<p>85087-Clutch Nut 2pcs</p> 	<p>85045-Clutch Shoes &amp; Springs</p> 	<p>10005-Central Transmission Complete 1Set (Single Speed)</p> 	<p>10174-Central Transmission Bulkheads 2pcs</p> 
<p>10175-Brake Post 1Set</p> 	<p>10176-Brake Set 1set</p> 	<p>10177-Brake Cup 2pcs</p> 	<p>10178-Single Speed Shaft w/pin</p> 
<p>10179-50T Gear (Single Speed) 1pc</p> 	<p>P0015 SH.21 Engine</p> 	<p>R0382-Printed body 1pc</p> 	<p>R0376-Printed body 1pc</p> 
<p>R0382C -Clear body 1pc</p> 			

# Parts Listing

<p>10902 - Front Shock Plate (Carbon) 1Set</p> 	<p>10903-Rear Shock Plate (Carbon) 1Set</p> 	<p>10907 -Front Shocks (AL) 2pc</p> 	<p>10908 -Rear Shocks (AL) 2pc</p> 
<p>10909-Front Lower Susp. Arm (AL) 2pc</p> 	<p>10910-Rear Lower Susp. Arm (AL) 2pc</p> 	<p>10911 -Steering Ackerman (AL) 1pc</p> 	<p>10912-Front Susp. Holders (AL)2Set</p> 
<p>10914-Rear Susp. Holders (AL)1Set</p> 	<p>10915-Rear Hub Carrier (AL)2pc</p> 	<p>10917 -Steering Knuckle Arm (AL)2Set</p> 	<p>10918 -Wheel Hub(AL) 1pc</p> 
<p>10922 -Wheelie Set 1set</p> 	<p>10923 -Alum Steering Arm 2pc</p> 	<p>10924 - Alum Knuckle Arm 2pc</p> 	<p>CNC-machined Diff Drive Spur Gear 38T 1pcs</p> 
<p>CNC-machined Diff Drive Gear 13T 1pcs</p> 			



<https://www.vrx-racing.com>



Phone: 86-755-84152087

Email: [info@vrx-racing.com](mailto:info@vrx-racing.com)

Address: 4th Floor, Building A6, Yinlong Industrial Zone, Longgang District, Shenzhen, Guangdong, China

Official website: <https://www.vrx-racing.com>

Online shop: <https://www.vrx-racingusa.com>



FRAGILE



THIS WAY UP



KEEP DRY



FOR 14+ YEARS



MADE IN CHINA

NO: 1.1

## WARNING!

This is not a toy and is not suitable for children under 14 years of age without adult supervision. Keep out of reach of three children. Contains small parts that represent a choking hazard.